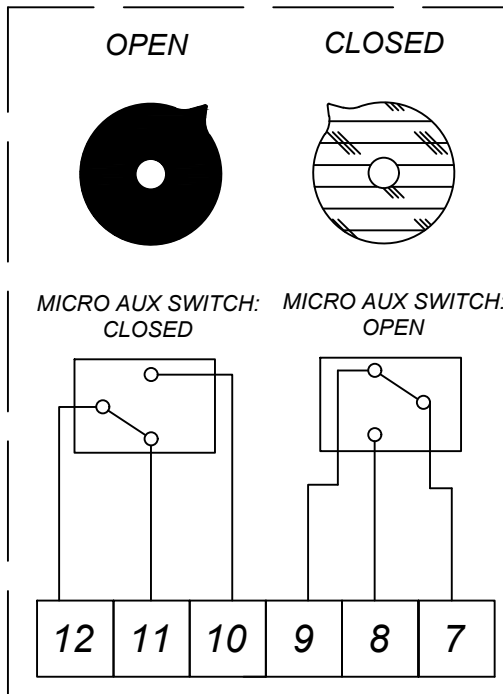
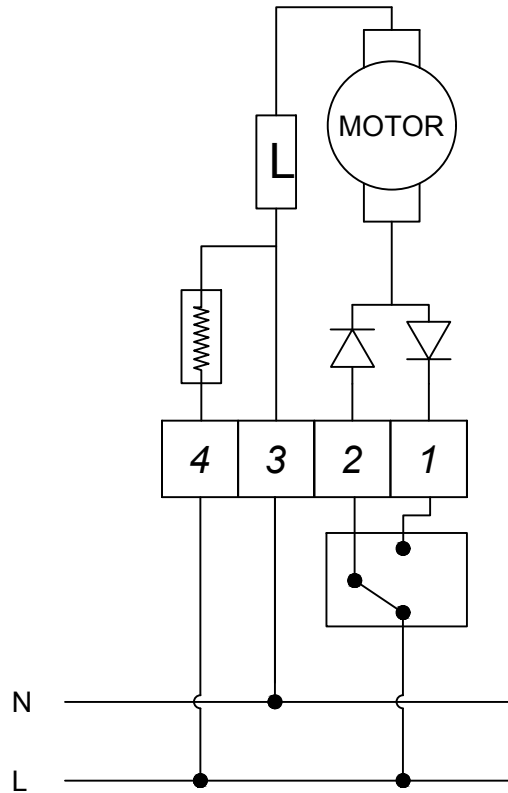


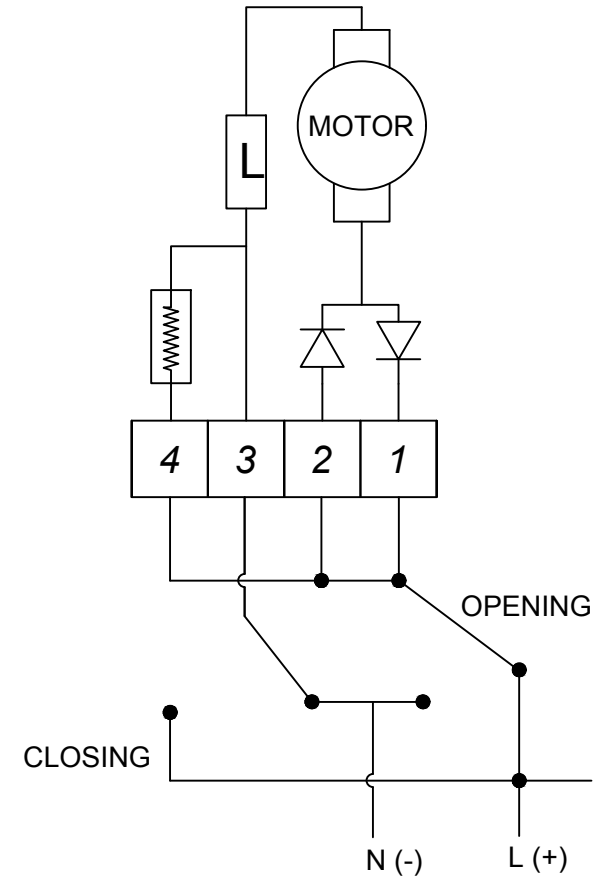
# SWITCHES



## AC



## DC



## VB015 12-24V AC/DC

### NOTES:

- ABS ACTUATOR BODY TYPE
- POSITIONER AVAILABLE VB030-UP

THIS DOCUMENT IS PROPERTY OF UNIVERSAL COMPONENTS, INC.  
 ANY REPRODUCTION, DISCLOSURE, OR USE OF THIS DOCUMENT IS  
 EXPRESSLY PROHIBITED UNLESS OTHERWISE AGREED UPON IN WRITING.  
 \*ALL SPECIFICATIONS SUBJECT TO CHANGE WITHOUT NOTICE.\*



DRAWING NAME:  
 TERMINAL BLOCK WIRING FOR ELECTRIC ACTUATOR  
 VB015- 12&24 VAC/VDC

MATERIAL:	<b>A</b>	DRAWING NUMBER: VB015-12-24-WIRING	REV. <b>1</b>
-----------	----------	---------------------------------------	------------------

SCALE: N.T.S.	NAME: MCH	DATE: 4-15-2021
---------------	-----------	-----------------