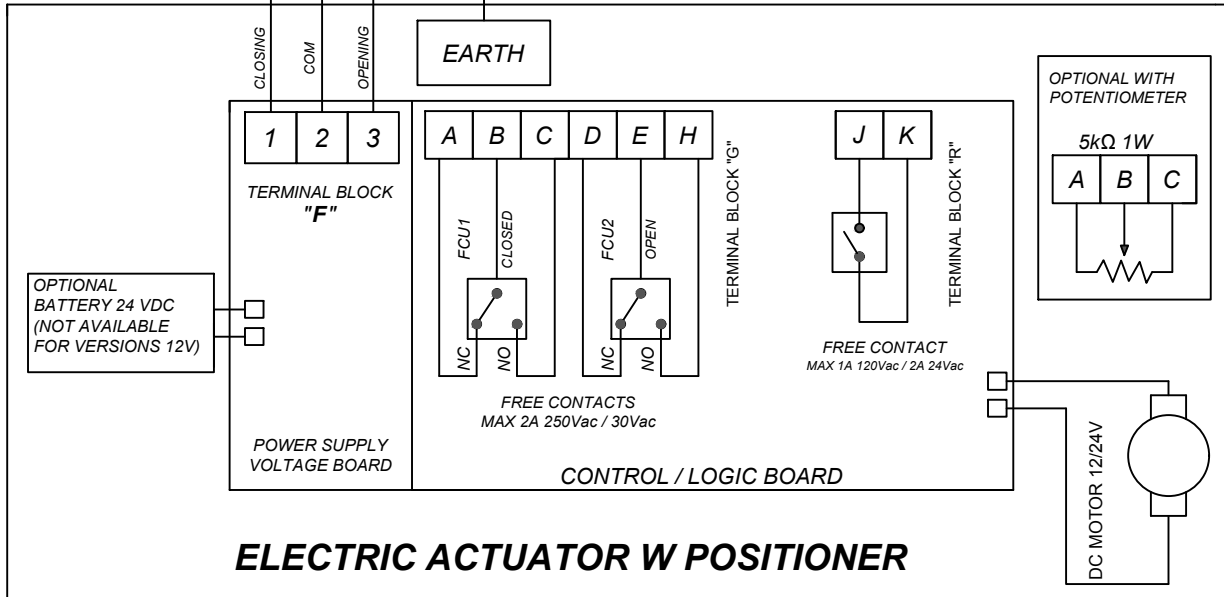
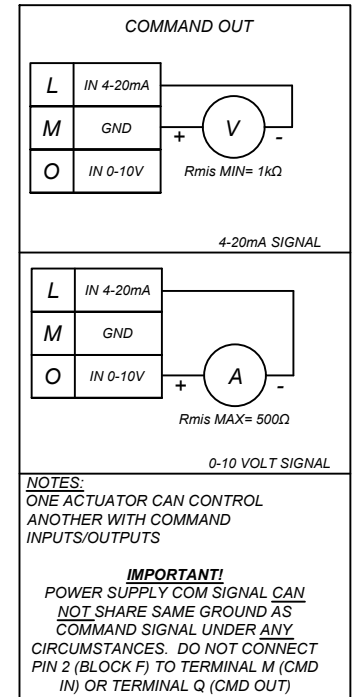
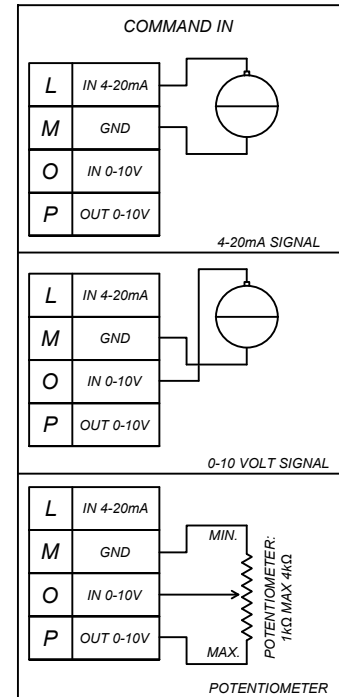


EARTH (PE)
L (+)
N (GND)

SEE NOTES



ELECTRIC ACTUATOR W POSITIONER



NOTES:

- VALID FOR VB030 UP
- C/F FOR VB015 WIRING
- ABS OR ALUMINUM ACTUATOR BODY TYPE

THIS DOCUMENT IS PROPERTY OF UNIVERSAL COMPONENTS, INC. ANY REPRODUCTION, DISCLOSURE, OR USE OF THIS DOCUMENT IS EXPRESSLY PROHIBITED UNLESS OTHERWISE AGREED UPON IN WRITING. *ALL SPECIFICATIONS SUBJECT TO CHANGE WITHOUT NOTICE.*



DRAWING NAME:
TERMINAL BLOCK WIRING FOR ELECTRIC ACTUATORS WITH POSITIONING: SIZES VB030-VB350

MATERIAL:	A	DRAWING NUMBER: VB030-350-WIRING	REV. 1
SCALE: N.T.S.	NAME: MCH	DATE: 10-25-17	