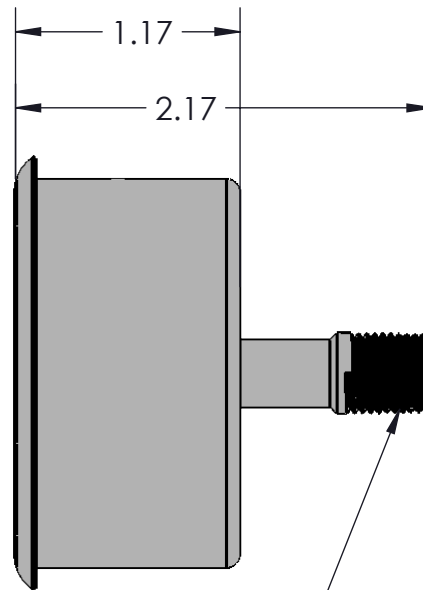
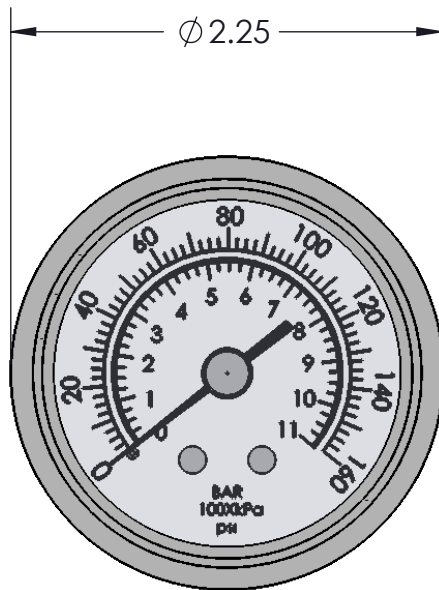


NOTES:

- **CASE:** STAINLESS STEEL
- **DIAL:** ALUMINUM, WHITE, BLACK & BLUE TYPE
- **SCALE:** DUAL (lb/in² - bar - X 100 kpa)
- **BOURDON TUBE TYPE:** ANSI GRADE B
- **CONNECTION:** WELDED TO CASE 1/8" NPT BM
- **LENS:** GLASS
- **SURGE PROTECTION:** STANDARD
- 160 PSI SHOWN



<i><u>SUFFIX</u></i>	<i><u>PRESSURE RANGE</u></i> <i><u>PSIG</u></i>
-V	30HG-0
-C	30HG-0-30
-15	0-15
-30	0-30
-60	0-60
-100	0-100
-160	0-160
-200	0-200
-300	0-300

1/8" NPT

THIS DOCUMENT IS PROPERTY OF UNIVERSAL COMPONENTS, INC.
 ANY REPRODUCTION, DISCLOSURE, OR USE OF THIS DOCUMENT IS
 EXPRESSLY PROHIBITED UNLESS OTHERWISE AGREED UPON IN WRITING.
 ALL SPECIFICATIONS SUBJECT TO CHANGE WITHOUT NOTICE.



DRAWING NAME:
 'SSAD2001' SERIES 2" SS GAUGE W/ 1/8" BACK MOUNT

MATERIAL: --	A	DRAWING NUMBER: SSAD2001 SERIES	REV. 1
SCALE: N.T.S.	NAME: MCH	DATE: 1/25/2019	