

NOTES:

FOR USE WITH CLASS 150 AND CLASS 300 FLANGES

WOG 740 PSI RATED @ 100F

STAINLESS SEAT: -40F TO 450F

VITON SEAT: -40F TO 400F (BUBBLE TIGHT OPTION)

CAN BE INSTALLED FROM HORIZONTAL UP TO 90 DEGREES . *NOT FOR DOWNWARD FLOW FOR 40 OR 80 SCHEDULE PIPE

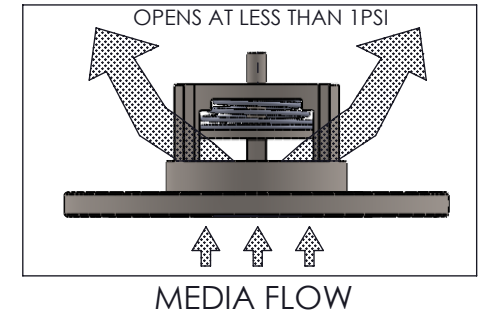
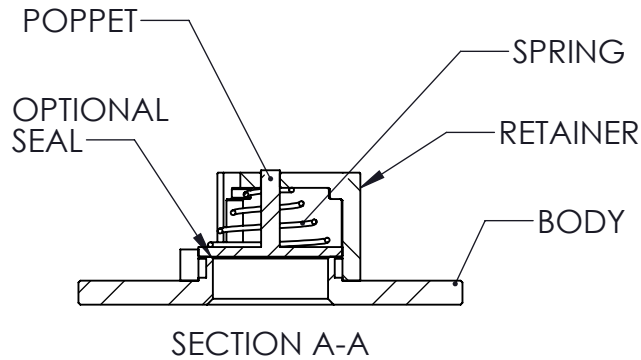
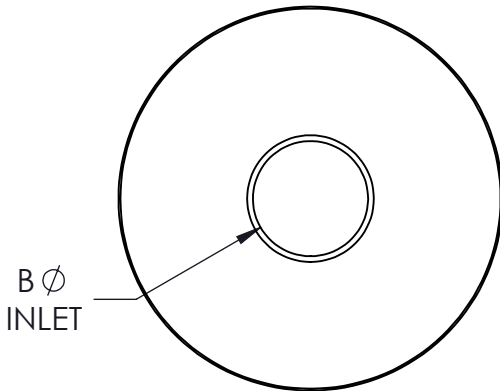
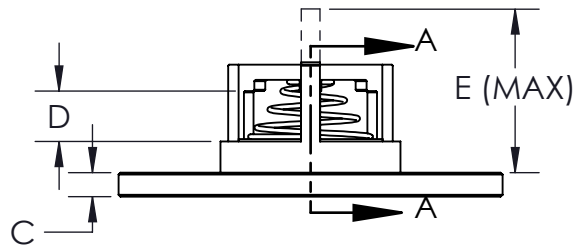
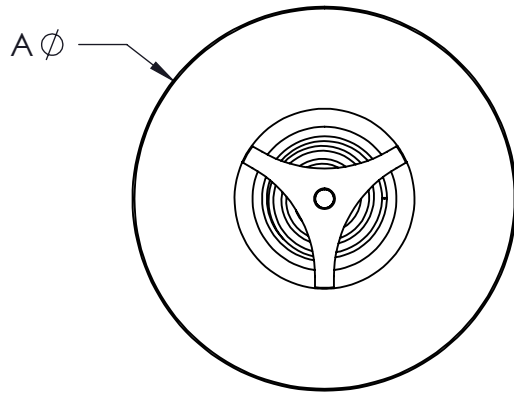
RECOMMENDED 5 'PIPE DIAMETERS' DOWN FROM TURBULENT FLOW

MATERIALS:

BODY, POPPET, RETAINER: A351 STAINLESS STEEL

SPRING: 304 STAINLESS

OPTIONAL SOFT SEAT: VITON



DIMENSIONAL DATA									
PART NO	SCFW-4	SCFW-6	SCFW-8	SCFW-12	SCFW-16	SCFW-20	SCFW-24	SCFW-32	SCFW-48
	1/2"	3/4	1"	1-1/2"	2"	2-1/2"	3"	4"	6
A	1.37	1.75	2.50	3.25	4.00	4.75	5.25	6.75	8.63
B	0.45	0.65	0.48	0.89	1.20	1.51	1.95	2.57	4.07
C	0.25	0.25	0.25	0.25	0.25	0.25	0.31	0.38	0.38
D	0.55	0.62	0.30	0.40	0.60	0.67	0.80	0.85	1.32
E	N/A	N/A	1.38	1.60	1.97	2.29	2.79	3.35	3.94

FLOW	
SIZE	Cv
1/2	2.4
3/4	4.4
1	6.3
1-1/2	18.7
2	30.5
2-1/2	45.8
3	74.7
4	136
6	305

DRAWING NAME: SCFW STAINLESS STEEL CLASS 150/300 INLINE CHECK VALVE		
MATERIAL: --	A DRAWING NUMBER: SCFW-SERIES	REV. 1
SCALE: N.T.S.	NAME: MCH	DATE: 1/28/2021

THIS DOCUMENT IS PROPERTY OF UNIVERSAL COMPONENTS, INC. ANY REPRODUCTION, DISCLOSURE, OR USE OF THIS DOCUMENT IS EXPRESSLY PROHIBITED UNLESS OTHERWISE AGREED UPON IN WRITING. *ALL SPECIFICATIONS SUBJECT TO CHANGE WITHOUT NOTICE.*