

NOTES:

CARBON STEEL VALVE NOTES:

MATERIALS:

- BODY AND CAP: ASTM A216 WCB
- BALL AND STEM: 316 SS
- SEAT: TFM
- PACKING: TFM/GRAPHITE

STAINLESS STEEL VALVE NOTES:

MATERIALS:

- BODY AND CAP: ASTM A351 CF8M
- BALL AND STEM: 316 SS
- SEAT: TFM

PACKING: TFM/GRAPHITE

ALL VALVES HAVE 3-SEAT DESIGN AND TRUNION STEM SUPPORT

ACTUATOR NOTES:

ALL ARE ALUMINUM HOUSING, STD.

IP67 RATED

LIMIT SWITCH : STD

HEATER: STD

CONSULT FACTORY FOR VALVE SIZES OVER 4" AND UNDER 3/4".

VARIOUS SEAT MATERIALS AVAILABLE, PLEASE CONSULT FACTORY FOR OPTIONS.

METAL ACTUATORS LISTED AS STANDARD, PLASTIC HOUSING UNITS AVAILABLE UPON REQUEST.

ANSI CLASS 150 - (ELECTRICALLY ACTUATED)										
PART #	ACT.	A	B _M	C	D	E	F	G	B	BRACKET/COUPLER
E***M/**2FF150T*-6	VB060M	6.65	13.52	6.94	7.82	2.75	0.63 x 4	2.75	12.91	BK11050A
E***M/**2FF150T*-8	VB060M	7.30	13.56	6.94	7.82	3.12	0.63 x 4	3.13	12.95	BK11050B
E***M/**2FF150T*-12	VB110M	7.17	14.00	10.68	9.71	3.88	0.63 x 4	3.88	14.38	BK21063C
E***M/**2FF150T*-16	VB110M	8.66	14.39	10.68	9.71	4.75	0.75 x 4	4.75	14.77	BK21075C
E***M/**2FF150T*-24	VB270M	11.26	17.42	10.89	10.08	6.00	0.75 x 4	5.62	17.78	BKS1075D

CONSULT ORDERING MATRIX FOR OPTIONS AND MATERIALS

*115V = 115VAC

*240V = 240 VAC

*012D = 12VDC

*024D = 24VDC

** S = STAINLESS STEEL

C = CARBON STEEL

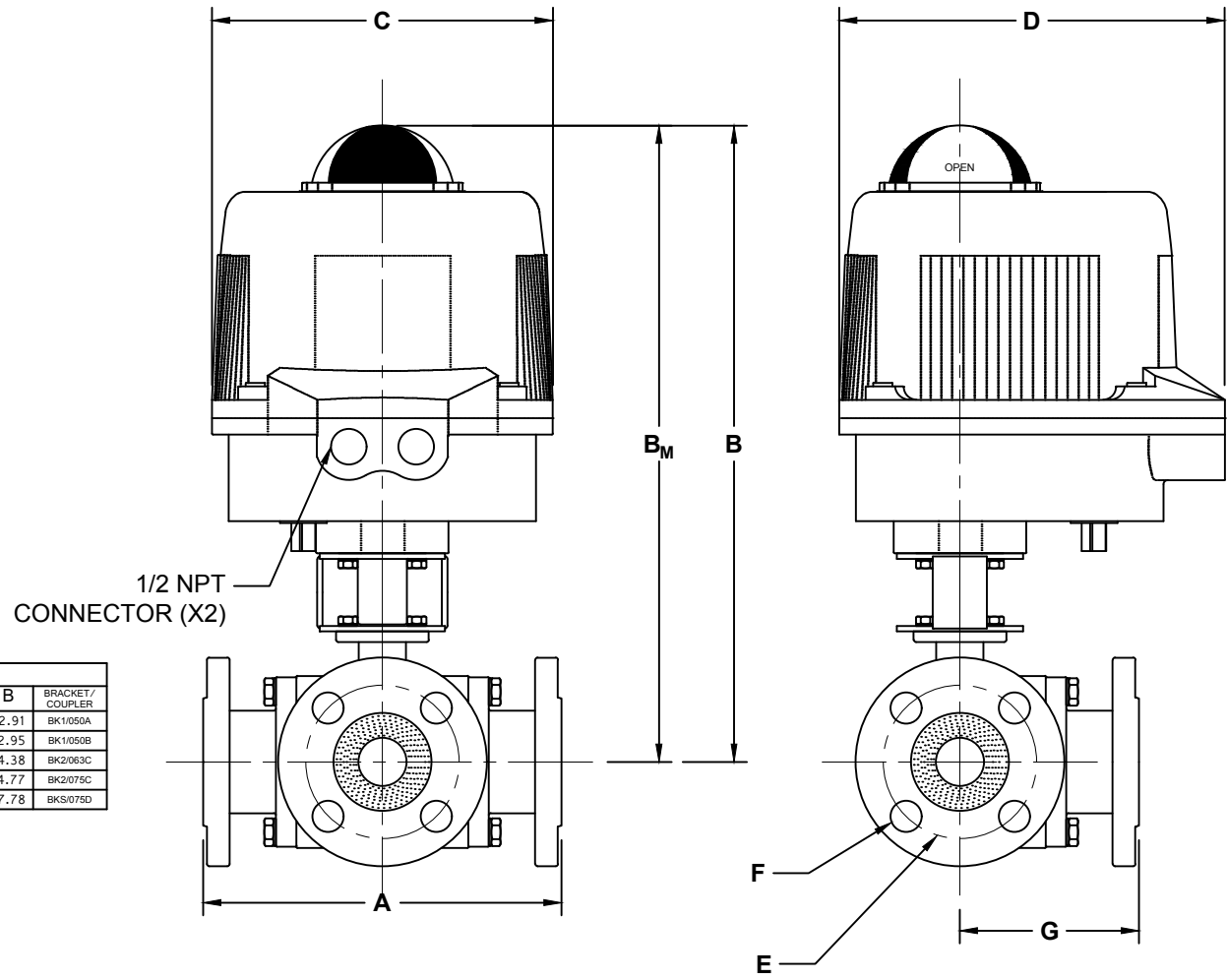
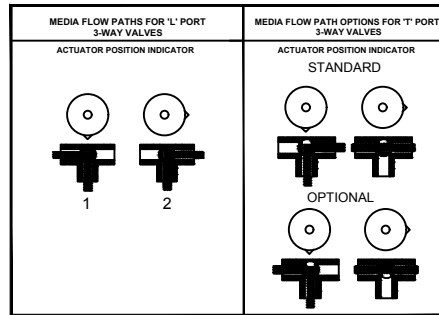
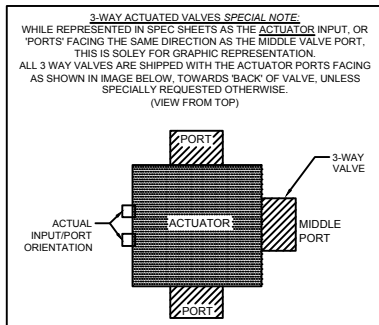
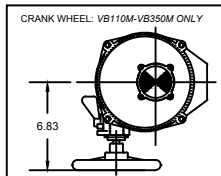
METAL HOUSING (STD ON THIS SERIES)

T* : TL = L PORT

TT = T PORT

B_M : METAL ACTUATOR DIMENSION

B : ABS ACTUATOR DIMENSION



DRAWING NAME:

ACTUATED VALVES:
ELECTRIC C2FF - S2FF 150 3-WAY

MATERIAL:	A	DRAWING NUMBER:	E-ACT-C2FF S2FF 150 TT_TL	REV.	3
SCALE: N.T.S.	NAME: MCH	DATE:	9-21-21		