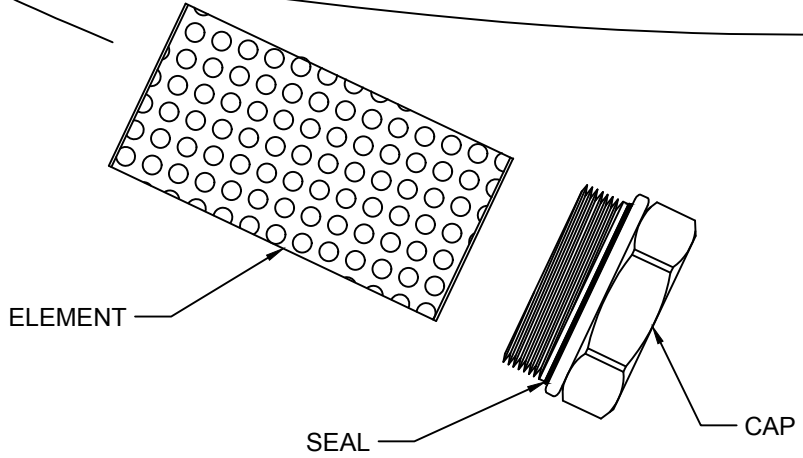


DATA							
PART NO	A (NPT)	B	C	BODY	ELEMENT MESH (STD)	SEAL	CAP
YSB-2	1/4	2.00	1.25	CAST BRONZE ASTM B584	50	TEFLON O-RING	BRASS (ASTM B16)
YSB-3	3/8	2.69	2.00				
YSB-4	1/2	2.69	2.00				
YSB-6	3/4	3.87	3.25		20	PTFE (GASKET)	CAST BRONZE (ASTM B584)
YSB-8	1	4.75	4.00				
YSB-10	1 1/4	5.12	4.25				
YSB-12	1 1/2	5.75	5.00				
YSB-16	2	6.75	6.00		C/F		
YSB-20	2 1/2	7.94	5.87				
YSB-24	3	9.12	6.87				
YSB-32	4	11.94	10.12				

NOTES:

- 400 PSI @ 150°F WOG
- 125 PSI @ 350°F WOG
- MADE IN USA
- AVAILABLE IN SOLDER END (CONSULT FACTORY)
- CRN 0E8959.5C



DRAWING NAME:			
BRONZE Y-STRAINER SERIES			
MATERIAL:	A	DRAWING NUMBER:	REV.
		YSB-SERIES	1
SCALE: N.T.S.	NAME: MCH	DATE:	10-13-17

THIS DOCUMENT IS PROPERTY OF UNIVERSAL COMPONENTS, INC. ANY REPRODUCTION, DISCLOSURE, OR USE OF THIS DOCUMENT IS EXPRESSLY PROHIBITED UNLESS OTHERWISE AGREED UPON IN WRITING. *ALL SPECIFICATIONS SUBJECT TO CHANGE WITHOUT NOTICE.*