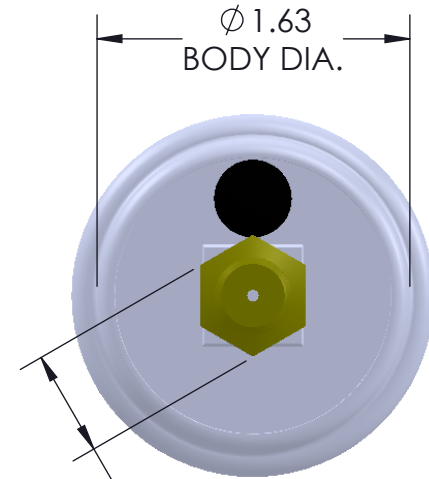
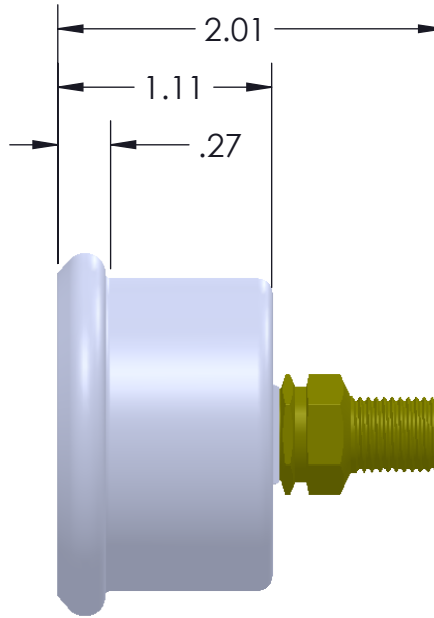
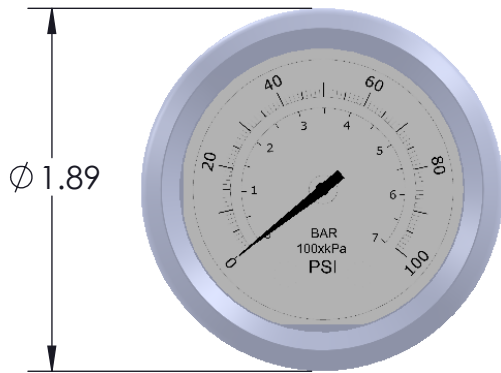
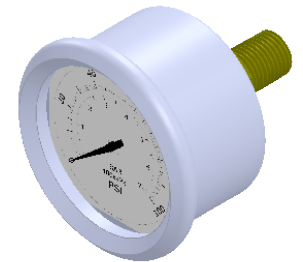


NOTES:

- **CASE:** STAINLESS STEEL
- **LIQUID:** GLYCERIN FILLED
- **DIAL:** ALUMINUM, WHITE, BLACK & BLUE TYPE
- **SCALE:** DUAL (lb/in² - bar - X 100 kpa)
- **BOURDON TUBE TYPE:** ANSI GRADE B
- **CONNECTION:** BRASS 1/8" NPT BM
- **LENS:** SAD ACRYLIC (SGD GLASS)
- **SURGE PROTECTION:** STANDARD
- 100 PSI SHOWN



9/16"
WRENCH FLATS

SUFFIX	PRESSURE PSIG
-V	30HG-0
-C	30HG-0-30
-15	0-15
-30	0-30
-60	0-60
-100	0-100
-160	0-160
-200	0-200
-300	0-300
-600	0-600
-1K	0-1000
-1.5K	0-1500
-2K	0-2000
-3K	0-3000
-5K	0-5000
-6K	0-6000
-10K	0-10,000
-15K	0-15,000



DRAWING NAME:
'SSG1501' SERIES 1.5" GAUGE W/ 1/8" BACK MOUNT

MATERIAL: --	A	DRAWING NUMBER: SSG1501 SERIES	REV. 1
SCALE: N.T.S.	NAME: MCH	DATE: 1/25/2019	

THIS DOCUMENT IS PROPERTY OF UNIVERSAL COMPONENTS, INC.
ANY REPRODUCTION, DISCLOSURE, OR USE OF THIS DOCUMENT IS
EXPRESSLY PROHIBITED UNLESS OTHERWISE AGREED UPON IN WRITING.
ALL SPECIFICATIONS SUBJECT TO CHANGE WITHOUT NOTICE.