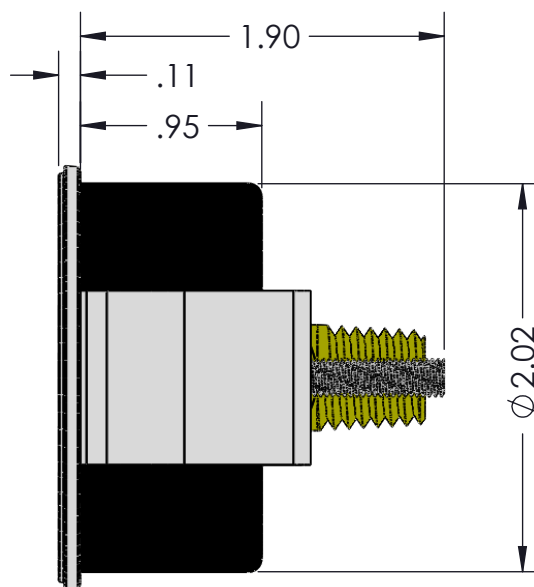


Ø 2.20



PART NO.	RANGE
SPM2002-V	30 HG-0
SPM2002-C	30HG-0-30
SPM2002-15	0-15
SPM2002-30	0-30
SPM2002-60	0-60
SPM2002-100	0-100
SPM2002-160	0-160
SPM2002-200	0-200
SPM2002-300	0-300

CASE: BLACK PAINTED STEEL, CHROME RING
DIAL: ALUMINUM, WHITE, BLACK & BLUE TYPE
SCALE: DUAL (lb/in² - bar - X 100 kpa)
BOURDON TUBE TYPE: ANSI GRADE B
CONNECTION: BRASS 1/4" NPT CBM
LENS: ACRYLIC
SURGE PROTECTION: STANDARD

THIS DOCUMENT IS PROPERTY OF UNIVERSAL COMPONENTS, INC.
 ANY REPRODUCTION, DISCLOSURE, OR USE OF THIS DOCUMENT IS
 EXPRESSLY PROHIBITED UNLESS OTHERWISE AGREED UPON IN WRITING.
 ALL SPECIFICATIONS SUBJECT TO CHANGE WITHOUT NOTICE.



DRAWING NAME:

2" STEEL CASE 1/4" NPT PANEL MOUNT
 INDUSTRIAL DRY GAUGE

MATERIAL:
--

A

DRAWING NUMBER:
SPM2002-SERIES

REV.
1

SCALE: N.T.S.

NAME: MCH

DATE: 11/15/2019