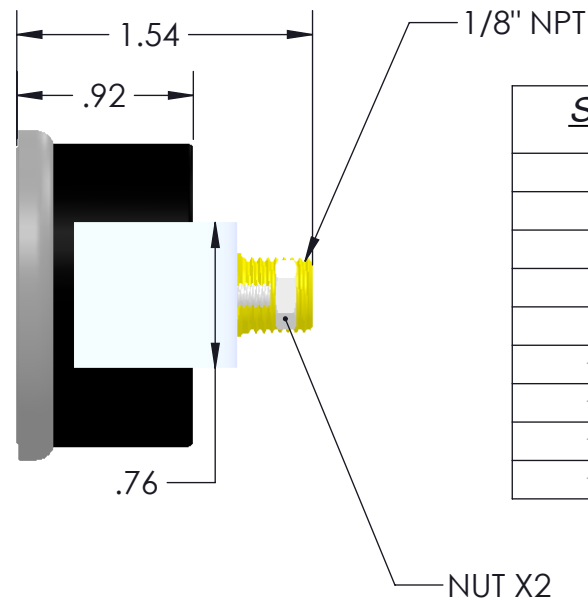
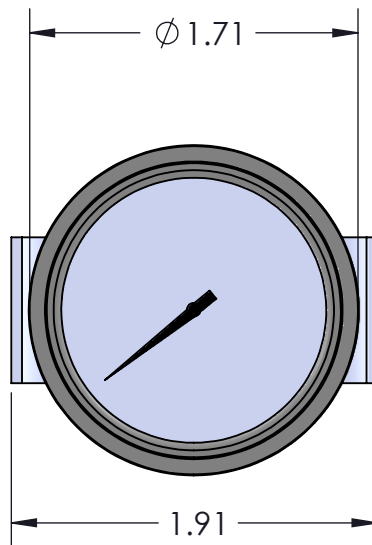
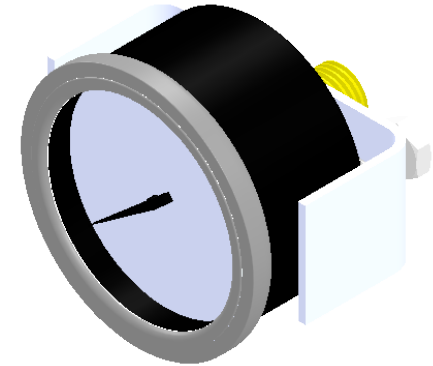


NOTES:

- **CASE:** BLACK PAINTED STEEL, CHROME RING
- **DIAL:** ALUMINUM, WHITE, BLACK & BLUE TYPE
- **SCALE:** DUAL (lb/in² - bar - X 100 kpa)
- **BOURDON TUBE TYPE:** ANSI GRADE B
- **CONNECTION:** BRASS 1/8" NPT BM
- **LENS:** SAD ACRYLIC (SGD GLASS)
- **SURGE PROTECTION:** STANDARD
- **BRACKET:** PLATED STEEL
- 0-160 PSI SHOWN



<i><u>SUFFIX</u></i>	<i><u>PRESSURE RANGE</u></i> <i><u>PSIG</u></i>
-V	30HG-0
-C	30HG-0-30
-15	0-15
-30	0-30
-60	0-60
-100	0-100
-160	0-160
-200	0-200
-300	0-300

THIS DOCUMENT IS PROPERTY OF UNIVERSAL COMPONENTS, INC.
 ANY REPRODUCTION, DISCLOSURE, OR USE OF THIS DOCUMENT IS
 EXPRESSLY PROHIBITED UNLESS OTHERWISE AGREED UPON IN WRITING.
 ALL SPECIFICATIONS SUBJECT TO CHANGE WITHOUT NOTICE.

DRAWING NAME: 'SPM1501' SERIES 1.5" GAUGE W/ 1/8" NPT CONNECTION AND PANEL MOUNT BRACKET			
MATERIAL: --	A	DRAWING NUMBER: SPM1501 SERIES	REV. 1
SCALE: N.T.S.	NAME: MCH	DATE: 1/25/2019	