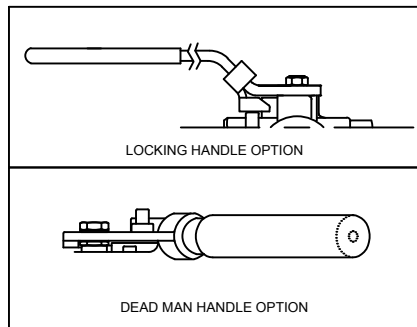


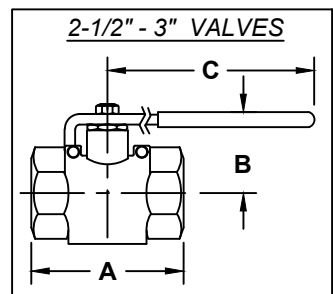
SHM SERIES DIMENSIONS					
PART	SIZE	A	B	C	Cv
SHM-2	1/4"	2.05	1.71	3.85	8
SHM-3	3/8"	2.05	1.71	3.85	7
SHM-4	1/2"	2.23	1.79	3.85	15
SHM-6	3/4"	2.96	2.03	4.75	30
SHM-8	1"	3.34	2.16	4.75	43
SHM-10	1 1/4"	4.00	2.68	5.40	48
SHM-12	1 1/2"	4.34	3.25	7.75	84
SHM-16	2"	5.43	3.24	7.75	108
SHM-20	2 1/2"	6.75	4.03	7.75	190
SHM-24	3"	6.75	4.03	7.75	370



VALVE NOTES:

- CF8M STAINLESS STEEL
- 29 Hg-2000 PSI WOG 1/4" TO 1"
- 29 HG-1500 PSI WOG 1 1/4" TO 2"
- 29 HG-1500 PSI WOG 2 1/2" TO 3"
- 150 PSI SATURATED STEAM (ALL SIZES)
- RPTFE SEATS
- PTFE SEALS
- BLOWOUT PROOF STEM W/ADJ PACKING
- TEMP: -35°F TO 400°F
- OPTIONAL LOCKING HANDLE AVAILABLE
- OPTIONAL DEAD MAN HANDLE AVAILABLE
- ACTUATION AVAILABLE
- 2 1/2" AND 3" SIZE HAVE SLIGHTLY DIFFERENT APPEARANCE

CONSULT CATALOG FOR OPTIONS AND AVAILABLE MATERIALS



DRAWING NAME:			
MANUAL 2-WAY STAINLESS STEEL 2-PIECE NPT CONNECTION VALVES			
MATERIAL:	A	DRAWING NUMBER: SHM-SERIES	REV. 2
SCALE: N.T.S.	NAME: MCH	DATE:	9-13-19

THIS DOCUMENT IS PROPERTY OF UNIVERSAL COMPONENTS, INC.
ANY REPRODUCTION, DISCLOSURE, OR USE OF THIS DOCUMENT IS
EXPRESSLY PROHIBITED UNLESS OTHERWISE AGREED UPON IN WRITING.
ALL SPECIFICATIONS SUBJECT TO CHANGE WITHOUT NOTICE.