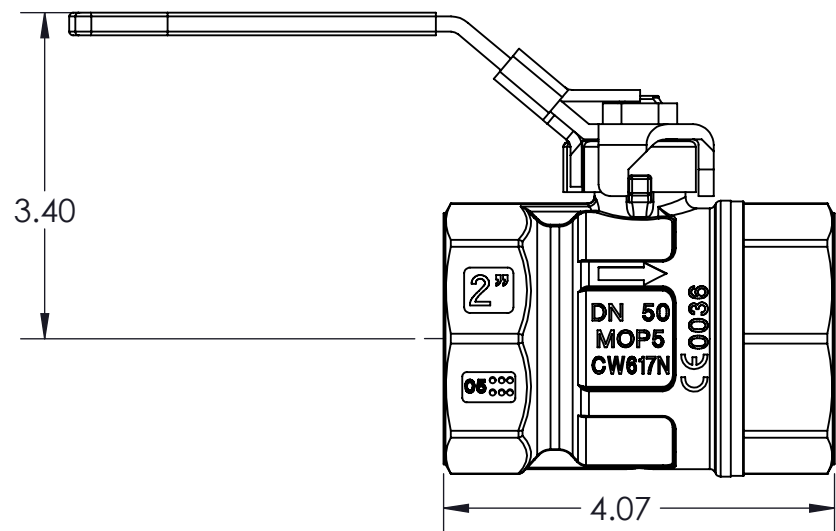


LOCKING HANDLE
(LOCKS IN CLOSED ONLY)



2" FNPT

Ø 1.57
(PORT)

NOTES:

1. FORGED BRASS BODY
2. CHROME PLATED BRASS BALL
3. FULL PORT
4. ADJUSTABLE STEM PACKING
5. BLOW-OUT PROOF STEM
6. TEMP: -4F TO +350F
7. 200 PSI (CWP)
8. RPTFE SEATS
9. PTFE SEALS AND THRUST WASHER
10. FKM AND NBR O-RINGS
11. DOWNSTREAM VENTING
(IN CLOSED POSTION)

THIS DOCUMENT IS PROPERTY OF UNIVERSAL COMPONENTS, INC.
ANY REPRODUCTION, DISCLOSURE, OR USE OF THIS DOCUMENT IS
EXPRESSLY PROHIBITED UNLESS OTHERWISE AGREED UPON IN WRITING.
ALL SPECIFICATIONS SUBJECT TO CHANGE WITHOUT NOTICE.



DRAWING NAME: 2" NPT EXHAUSTING 2-WAY BRASS BALL VALVE WITH LOCKING HANDLE			
MATERIAL: --	A	DRAWING NUMBER: SEL-16	REV. 1
SCALE: N.T.S.	NAME: MCH	DATE: 7/20/2023	