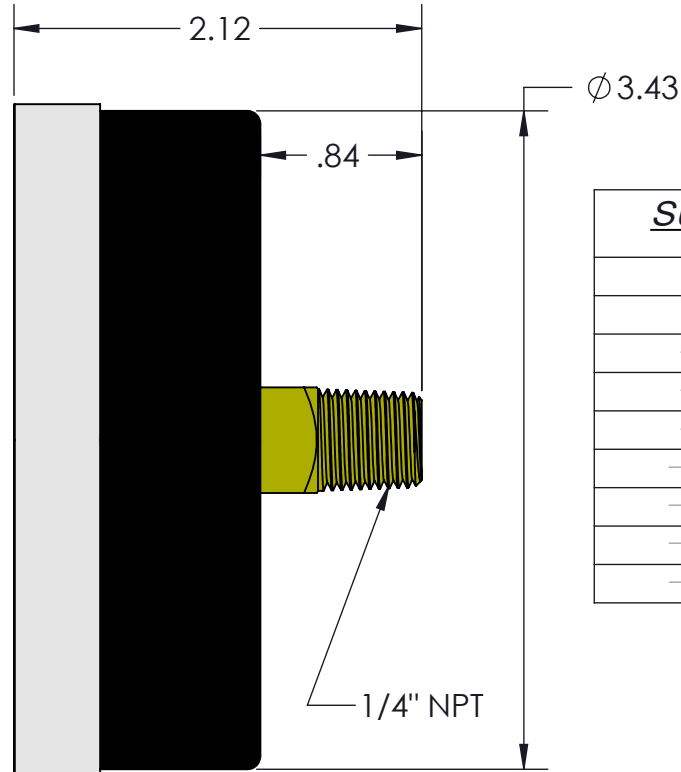
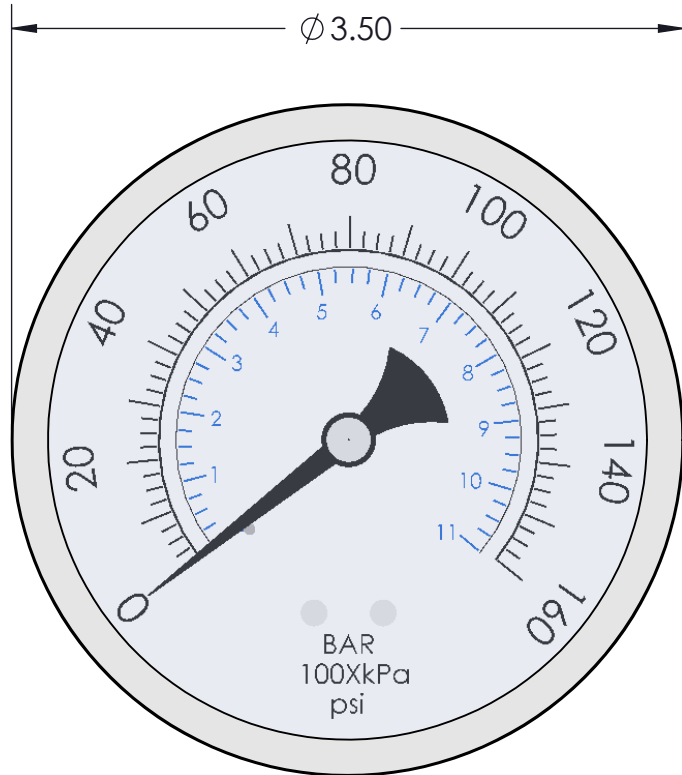
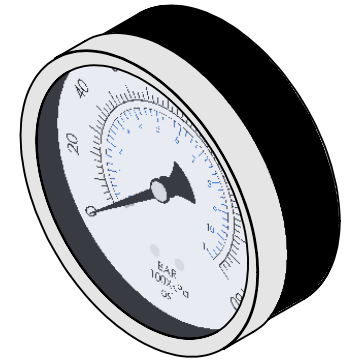


NOTES:

- **CASE:** BLACK PAINTED STEEL, CHROME RING
- **DIAL:** ALUMINUM, WHITE, BLACK & BLUE TYPE
- **SCALE:** DUAL (lb/in² - bar - X 100 kpa)
- **BOURDON TUBE TYPE:** ANSI GRADE B
- **CONNECTION:** BRASS 1/4" NPT BACK MOUNT
- **LENS:** SAD ACRYLIC (SGD GLASS)
- **SURGE PROTECTION:** STANDARD
- 160 PSI SHOWN



<u>SUFFIX</u>	<u>PRESSURE RANGE</u> <u>PSIG</u>
-V	30HG-0
-C	30HG-0-30
-15	0-15
-30	0-30
-60	0-60
-100	0-100
-160	0-160
-200	0-200
-300	0-300

THIS DOCUMENT IS PROPERTY OF UNIVERSAL COMPONENTS, INC.
 ANY REPRODUCTION, DISCLOSURE, OR USE OF THIS DOCUMENT IS
 EXPRESSLY PROHIBITED UNLESS OTHERWISE AGREED UPON IN WRITING.
 ALL SPECIFICATIONS SUBJECT TO CHANGE WITHOUT NOTICE.



DRAWING NAME:
 'SAD3502' SERIES 3 1/2" GAUGE W/ 1/4" BACK MOUNT

MATERIAL: --	A	DRAWING NUMBER: SAD3502 SERIES	REV. 1
SCALE: N.T.S.	NAME: MCH	DATE: 7/19/2022	