

**CASE:** BLACK PAINTED STEEL, CHROME RING

**DIAL:** ALUMINUM, WHITE, BLACK & BLUE TYPE

**SCALE:** DUAL (lb/in<sup>2</sup> - bar - X 100 kpa)

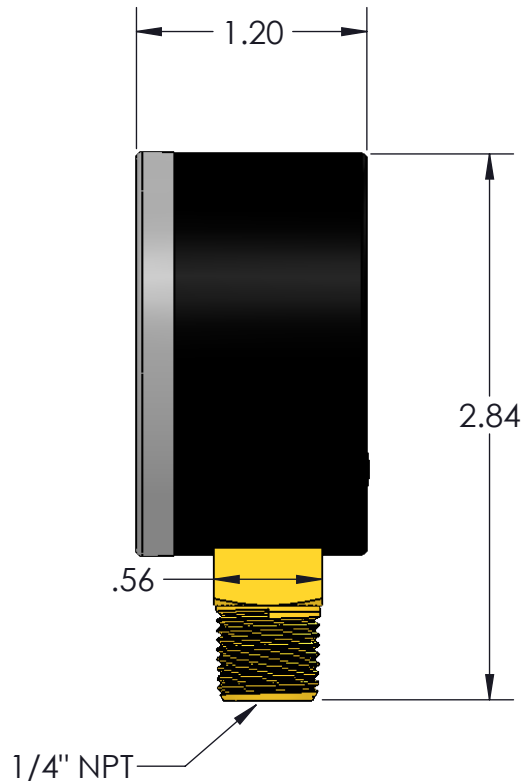
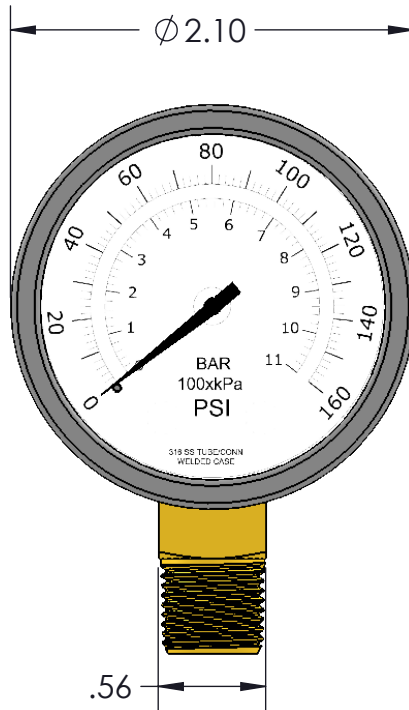
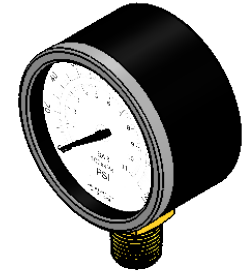
**BOURDON TUBE TYPE:** ANSI GRADE B

**CONNECTION:** BRASS 1/4" NPT LM

**LENS:** SAD ACRYLIC (SGD GLASS)

**SURGE PROTECTION:** STANDARD

160 PSI SHOWN



<i>SUFFIX</i>	<i>PRESSURE RANGE PSIG</i>
-V	30HG-0
-C	30HG-0-30
-15	0-15
-30	0-30
-60	0-60
-100	0-100
-160	0-160
-200	0-200
-300	0-300

THIS DOCUMENT IS PROPERTY OF UNIVERSAL COMPONENTS, INC.  
 ANY REPRODUCTION, DISCLOSURE, OR USE OF THIS DOCUMENT IS  
 EXPRESSLY PROHIBITED UNLESS OTHERWISE AGREED UPON IN WRITING.  
 \*ALL SPECIFICATIONS SUBJECT TO CHANGE WITHOUT NOTICE.\*

DRAWING NAME: SAD SERIES 2" PRESSURE GAUGE 1/4" LOWER MOUNT			
MATERIAL: --	<b>A</b>	DRAWING NUMBER: SAD-SERIES	REV. 1
SCALE: N.T.S.	NAME: MCH	DATE: 1/25/2019	