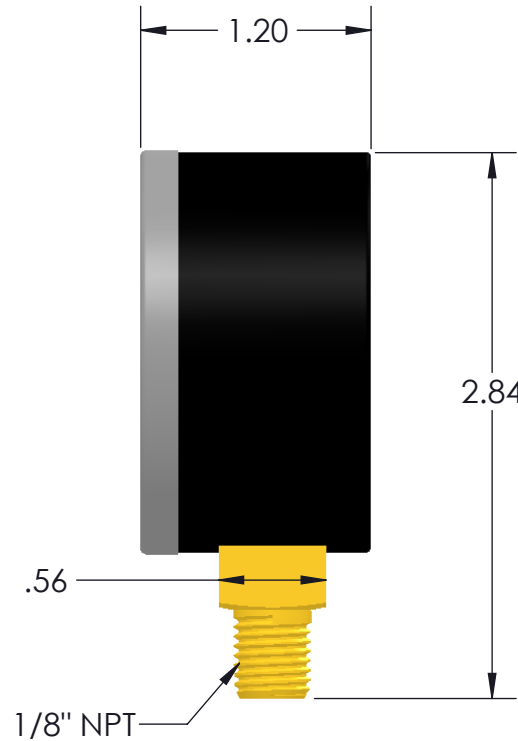
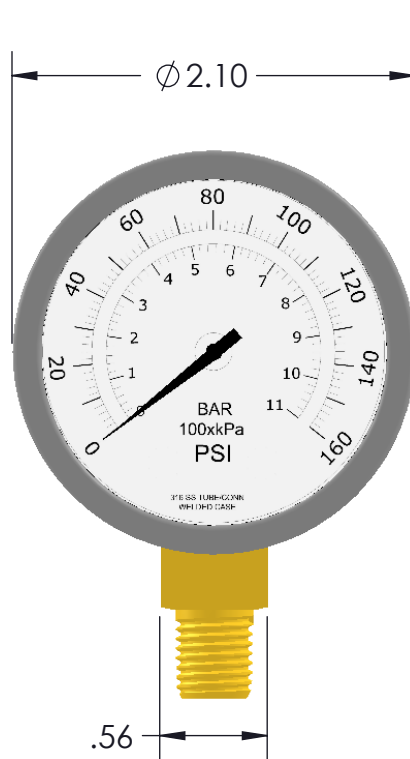
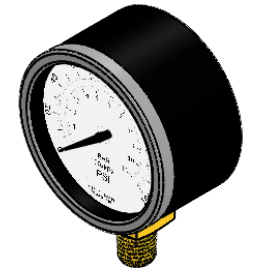


**NOTES:**

- **CASE:** BLACK PAINTED STEEL, CHROME RING
- **DIAL:** ALUMINUM, WHITE, BLACK & BLUE TYPE
- **SCALE:** DUAL (lb/in<sup>2</sup> - bar - X 100 kpa)
- **BOURDON TUBE TYPE:** ANSI GRADE B
- **CONNECTION:** BRASS 1/8" NPT LM
- **LENS:** SAD ACRYLIC (SGD GLASS)
- **SURGE PROTECTION:** STANDARD
- 160 PSI SHOWN



<i><u>SUFFIX</u></i>	<i><u>PRESSURE RANGE</u></i> <i><u>PSIG</u></i>
-V	30HG-0
-C	30HG-0-30
-15	0-15
-30	0-30
-60	0-60
-100	0-100
-160	0-160
-200	0-200
-300	0-300

THIS DOCUMENT IS PROPERTY OF UNIVERSAL COMPONENTS, INC.  
 ANY REPRODUCTION, DISCLOSURE, OR USE OF THIS DOCUMENT IS  
 EXPRESSLY PROHIBITED UNLESS OTHERWISE AGREED UPON IN WRITING.  
 \*ALL SPECIFICATIONS SUBJECT TO CHANGE WITHOUT NOTICE.\*

DRAWING NAME: 'SAD2011' SERIES 2" GAUGE W/ 1/8" LOWER MOUNT			
MATERIAL: --	<b>A</b>	DRAWING NUMBER: SAD2011 SERIES	REV. 1
SCALE: N.T.S.	NAME: MCH	DATE: 1/25/2019	