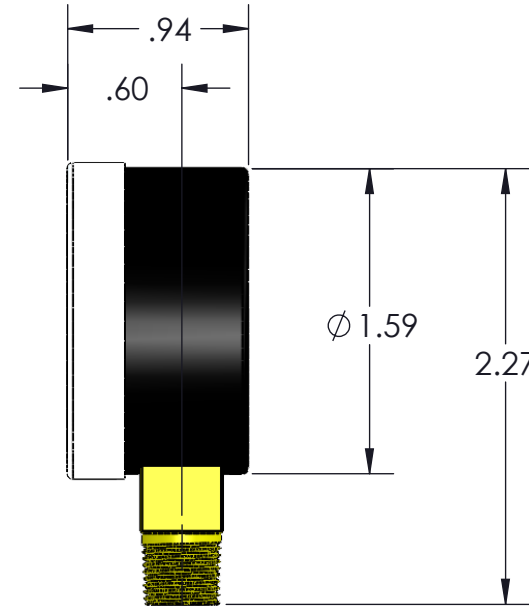
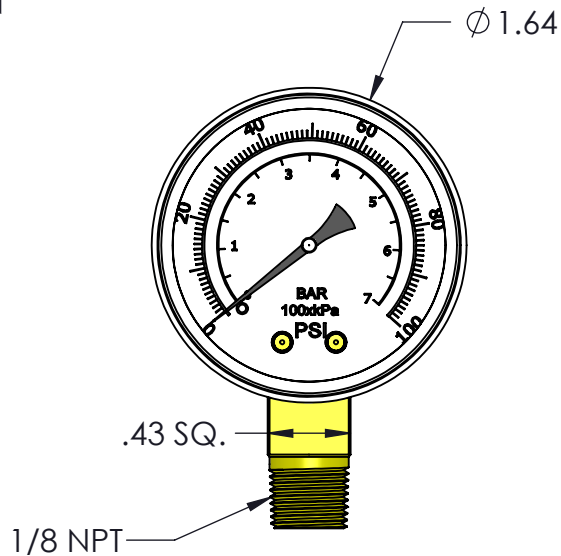
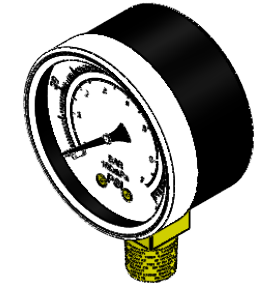


**NOTES:**

- CASE: BLACK PAINTED STEEL, CHROME RING
- DIAL: ALUMINUM, WHITE, BLACK & BLUE TYPE
- SCALE: DUAL (lb/in<sup>2</sup> - bar - X 100 kpa)
- BOURDON TUBE TYPE: ANSI GRADE B
- CONNECTION: BRASS 1/8" NPT LM
- LENS: SAD ACRYLIC (SGD GLASS)
- SURGE PROTECTION: STANDARD
- 100 PSI SHOWN



SUFFIX	PRESSURE RANGE (PSI)
-V	30HG-0
-C	30HG-0-30
-15	0-15
-30	0-30
-60	0-60
-100	0-100
-160	0-160
-200	0-200
-300	0-300

EXAMPLE: SAD1511-160

THIS DOCUMENT IS PROPERTY OF UNIVERSAL COMPONENTS, INC. ANY REPRODUCTION, DISCLOSURE, OR USE OF THIS DOCUMENT IS EXPRESSLY PROHIBITED UNLESS OTHERWISE AGREED UPON IN WRITING. \*ALL SPECIFICATIONS SUBJECT TO CHANGE WITHOUT NOTICE.\*

DRAWING NAME: 1-1/2" 1/8" NPT LOWER MOUNT PRESSURE GAUGE			
MATERIAL: --	A	DRAWING NUMBER: SAD1511-SERIES	REV. 1
SCALE: N.T.S.	NAME: MCH	DATE: 7/22/2022	