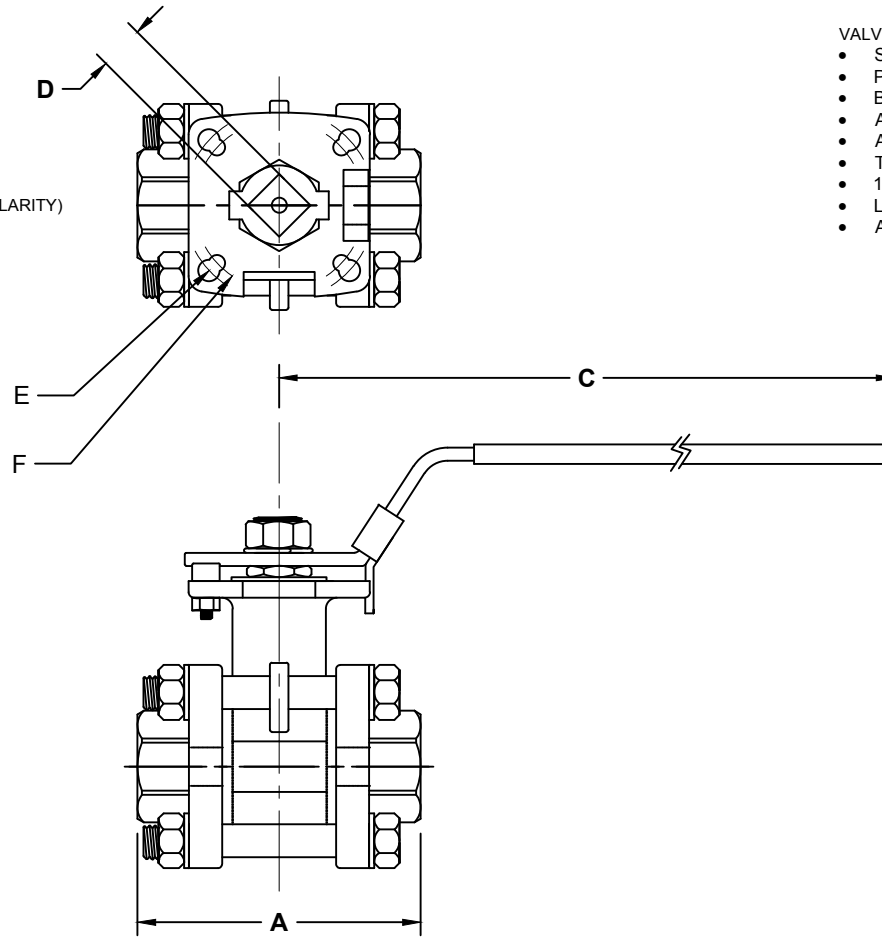
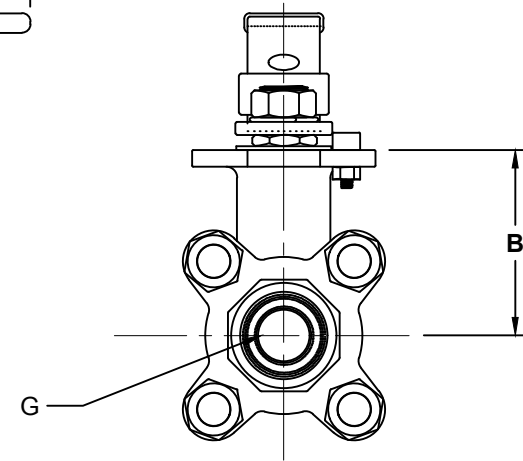


(HANDLE NOT SHOWN FOR CLARITY)



VALVE NOTES:


- STAINLESS STEEL 3-PIECE FULL-PORT 2-WAY BALL VALVE
- PTFE SEATS
- BLOW OUT PROOF STEM, MULTI LAYER V-RING
- ADJUSTABLE STEM PACKING
- AVAILABLE IN NPT AND SOCKET AND BUTT WELD
- TEMPERATURE -20°F TO 450°F
- 1/2" to 2" : 1000 PSI
- LATCH LOCK HANDLE, STANDARD
- ALSO AVAILABLE IN CARBON STEEL



S3FDM SERIES MANUAL VALVE DIMENSIONS								
PART #	A	B	C	D	E	F	ØG	THREAD
S3FDM-4	2.58	1.69	5.20	0.35	F04	F03	0.59	1/2 NPT
S3FDM-6	3.11	1.83	5.20	0.35	F04	F03	0.79	3/4 NPT
S3FDM-8	3.39	1.98	6.60	0.43	F04	F05	0.98	1 NPT
S3FDM-10	4.13	2.17	6.60	0.43	F04	F05	1.26	1 1/4 NPT
S3FDM-12	4.69	2.66	7.60	0.55	F05	F07	1.50	1 1/2 NPT
S3FDM-16	5.24	2.97	7.60	0.55	F05	F07	1.97	2 NPT

CONSULT CATALOG FOR OPTIONS AND AVAILABLE MATERIALS

THIS DOCUMENT IS PROPERTY OF UNIVERSAL COMPONENTS, INC.
 ANY REPRODUCTION, DISCLOSURE, OR USE OF THIS DOCUMENT IS
 EXPRESSLY PROHIBITED UNLESS OTHERWISE AGREED UPON IN WRITING.
 ALL SPECIFICATIONS SUBJECT TO CHANGE WITHOUT NOTICE.

			
DRAWING NAME:			
MANUAL 2-WAY STAINLESS STEEL 3-PIECE FULL PORT VALVES			
MATERIAL:	A	DRAWING NUMBER: S3FDM-SERIES	REV. 1
SCALE: N.T.S.	NAME: MCH	DATE:	2-7-17