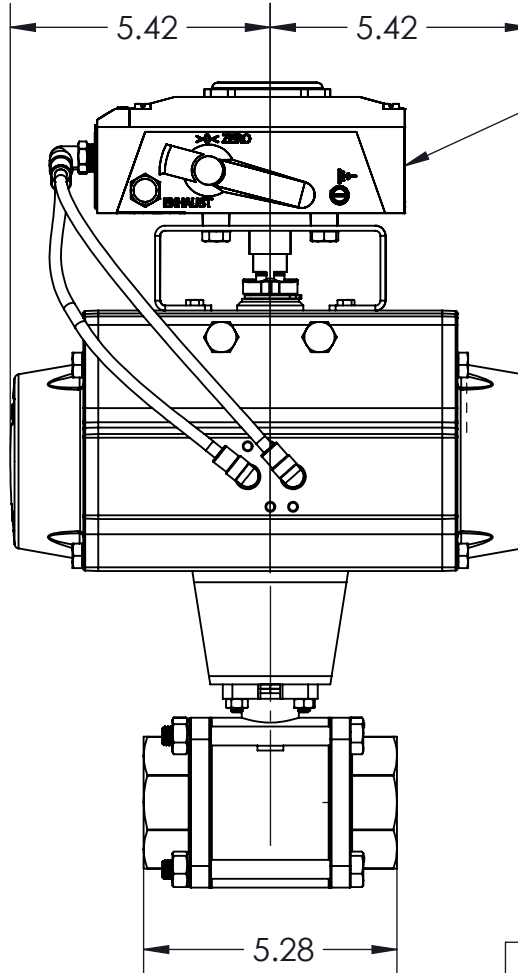
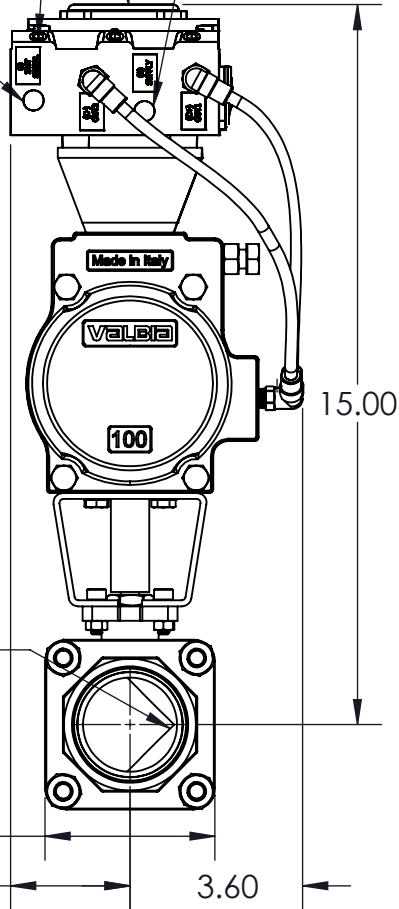
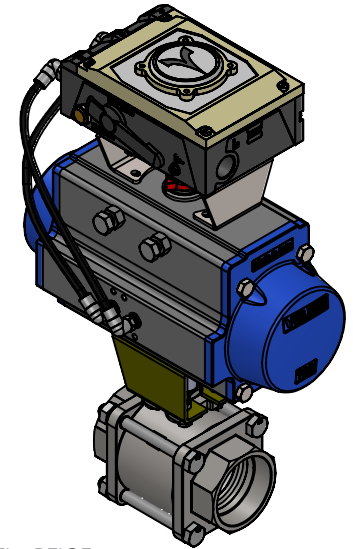


GAUGE PORT
 VISUAL INDICATOR
 INPUT 'P' PORT
 (80PSI MIN)
 1/4 NPT
 AIR SIGNAL
 PORT
 (3-15 PSI)
 FOR 'M3'
 OPTION



CONDUIT
 CONNECTOR
 FOR 4-20mA
 SIGNAL
 (M4 OPTION)



VALVE NOTES:

- STAINLESS STEEL - PEICE
- 1000 PSI (250 STEAM)
- -4f TO 406f
- 25% CARBON PTFE SEATS
- 60 DEGREE V-PORT BALL (30/60 and 90 degree also available)
- NACE MR 017/ISO 15156 AND NACE MR 0103 COMPLIANT

ACTUATOR:

- SPRING RETURN, 80 PSI MINIMUM OPERATING PSI.

POSITIONER

- (M3 OPTION) INPUT CONTROL 3-15 PSI
- (M4 OPTION) INPUT CONTROL 4-20mA
- (0-10 Input also available, consult factory).
- 1/4" NPT INPUT PORT
- PRESSURE GAUGE INCLUDED (NOT SHOWN)
- VISUAL INDICATOR (TOP)

2" NPT
 60 DEGREE
 V-PORT BALL

3.54
 2.49
 3.60

THIS DOCUMENT IS PROPERTY OF UNIVERSAL COMPONENTS, INC.
 ANY REPRODUCTION, DISCLOSURE, OR USE OF THIS DOCUMENT IS
 EXPRESSLY PROHIBITED UNLESS OTHERWISE AGREED UPON IN WRITING.
 ALL SPECIFICATIONS SUBJECT TO CHANGE WITHOUT NOTICE.



DRAWING NAME:

2" NPT 1000 PSI SS. DEFAULT OPEN V-PORT
 BALL VALVE W/60 DEGREE V PORT AND POSITIONING

MATERIAL:	A	DRAWING NUMBER: PO-SV60-16-M*	REV. 1
SCALE: N.T.S.	NAME: MCH	DATE: 1-9-23	