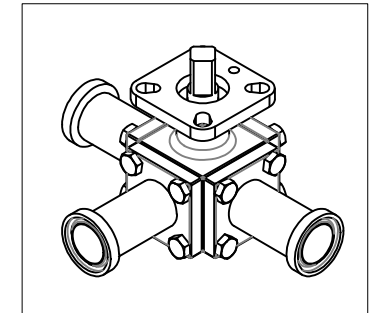


VALVE NOTES:

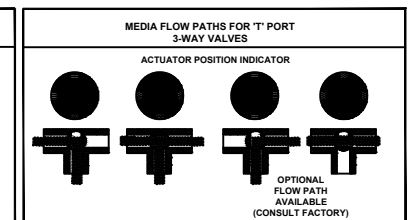
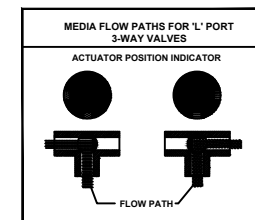
- CF8M STAINLESS STEEL BODY
- 316 STAINLESS BALL AND STEM
- 29" Hg-1000 PSIG WOG COLD NON-SHOCK
- BLOWOUT PROOF STEM
- CAVITY FILLED TEFLON SEATS STD (NON CAVITY FILLED AVAILABLE, SEE CATALOG)
- TEMP 0° TO 400° F

1" - UP ARE 3-PC CONSTRUCTION.
3/4" AND 1/2" VALVES ARE 'BLOCK BODY' STYLE (BELOW)

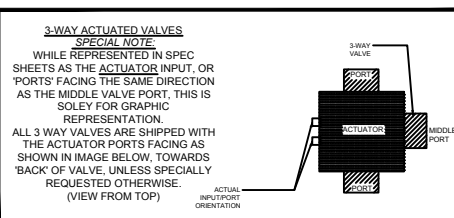


DOUBLE ACTING STAINLESS STEEL (STC)								
PART #	SIZE	ACTUATOR SIZE (mm)	A	B	C	D	E	F
PD/STC-4T*	1/2"	DA52	4.33	5.17	5.88	2.82	2.16	0.37
PD/STC-6T*	3/4"	DA52	4.69	5.40	5.88	2.82	2.34	0.62
PD/STC-8T*	1"	DA63	4.50	6.41	6.61	3.29	2.23	0.87
PD/STC-12T*	1 1/2"	DA63	5.50	7.17	6.61	3.29	2.44	1.37
PD/STC-16T*	2"	DA85	6.25	8.05	9.47	4.17	3.13	1.87
PD/STC-24T*	3"	DA100	9.00	10.34	10.83	4.84	4.75	2.88
PD/STC-32T*	4"	DA115	9.50	11.60	13.11	5.39	3.84	3.84

FAILSAFE OPEN/CLOSE- STAINLESS STEEL (STC)								
PART #	SIZE	ACTUATOR SIZE (mm)	A	B	C	D	E	F
PS/STC-4T*	1/2"	SR63*	4.33	4.90	6.46	3.17	2.16	0.37
PS/STC-6T*	3/4"	SR63*	4.69	5.43	6.46	3.17	2.34	0.62
PS/STC-8T*	1"	SR85	4.50	7.29	9.47	4.17	2.23	0.87
PS/STC-12T*	1 1/2"	SR100	5.50	8.32	10.83	4.84	2.44	1.37
PS/STC-16T*	2"	SR125	6.25	10.13	14.65	5.93	3.13	1.87
PS/STC-24T*	3"	SR140	9.00	12.28	17.13	6.46	4.75	2.88
PS/STC-32T*	4"	SR160	9.50	14.27	19.69	7.32	3.84	3.84



THIS DOCUMENT IS PROPERTY OF UNIVERSAL COMPONENTS, INC. ANY REPRODUCTION, DISCLOSURE, OR USE OF THIS DOCUMENT IS EXPRESSLY PROHIBITED UNLESS OTHERWISE AGREED UPON IN WRITING. *ALL SPECIFICATIONS SUBJECT TO CHANGE WITHOUT NOTICE.*



**TT = T-Port
**TL = L-Port



DRAWING NAME: PNEUMATIC ACTUATED STAINLESS STEEL 3-WAY T AND L PORT TRI-CLAMP SANITARY 1000 PSI VALVES		
MATERIAL: A	DRAWING NUMBER: P-ACT-STC TT_TL	REV. 6
SCALE: N.T.S.	NAME: MCH	DATE: 8-12-19