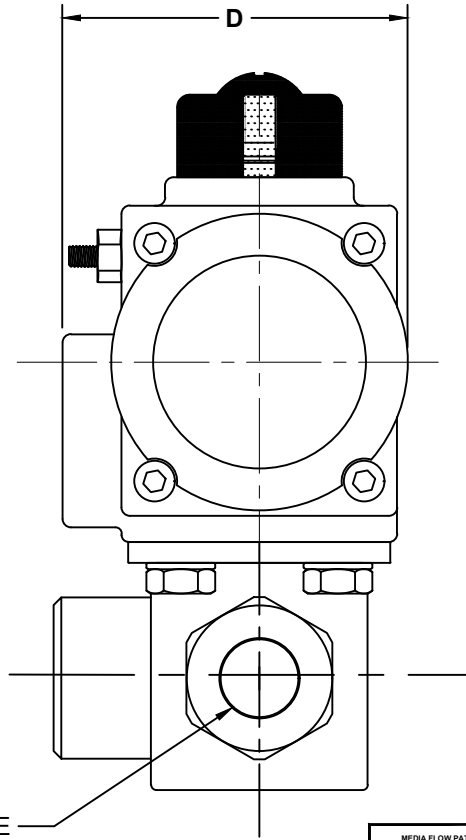


HIGH PRESSURE 3-WAY CARBON STEEL DOUBLE ACTING							
PART #	ACT.	A	B	C	D	E	PSI
PD/CFM-2**	DA52	2.72	4.58	5.88	2.82	0.24	7350
PD/CFM-S4**							
PD/CFM-3**	DA52	2.87	4.67	5.88	2.82	0.39	7350
PD/CFM-S6**							
PD/CFM-4**	DA52	3.62	4.69	5.58	2.82	0.51	7350
PD/CFM-S8**							
PD/CFM-6**	DA63	3.82	5.94	6.61	3.29	0.78	6000
PD/CFM-S12**							
PD/CFM-8**	DA63	4.45	5.98	6.61	3.29	0.94	6000
PD/CFM-S16**							
PD/CFM-10**	DA100	5.16	5.84	10.83	4.84	1.18	6000
PD/CFM-S20**							
PD/CFM-12**	DA115	5.47	6.46	13.11	5.39	1.37	6000
PD/CFM-S24**							
PD/CFM-16**	DA140	5.50	10.66	17.13	6.46	1.73	6000
PD/CFM-S32**							

HIGH PRESSURE 3-WAY CARBON STEEL FAILSAFE RETURN							
PART #	ACT.	A	B	C	D	E	PSI
P*/CFM-2**	SR75	2.72	5.70	7.32	3.73	0.24	7350
P*/CFM-S4**							
P*/CFM-3**	SR75	2.87	5.79	7.32	3.73	0.39	7350
P*/CFM-S6**							
P*/CFM-4**	SR85	3.62	5.98	9.47	4.17	0.51	7350
P*/CFM-S8**							
P*/CFM-6**	SR85	3.82	6.58	9.47	4.17	0.78	6000
P*/CFM-S12**							
P*/CFM-8**	SR100	4.45	6.58	10.83	4.84	0.94	6000
P*/CFM-S16**							
P*/CFM-10**	SR140	5.16	9.46	17.13	6.46	1.18	6000
P*/CFM-S20**							
P*/CFM-12**	SR160	5.47	10.40	19.69	8.70	1.37	6000
P*/CFM-S24**							
P*/CFM-16**	SR200	5.50	14.10	22.76	8.54	1.73	6000
P*/CFM-S32**							

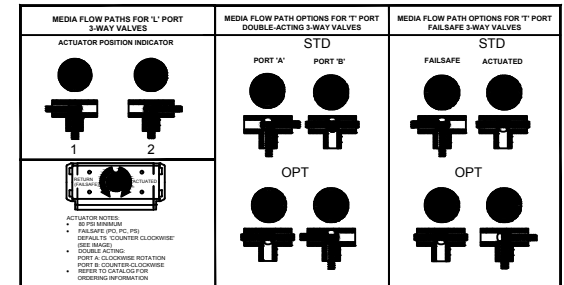
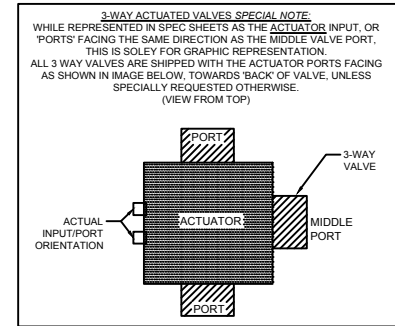
CONSULT ORDERING MATRIX FOR OPTIONS AND MATERIALS

* C FAILSAFE CLOSE
 * S FAILSAFE OPEN
 **: TL = L PORT
 TT = T PORT



- CARBON STEEL VALVE NOTES:**
- BODY : COATED CARBON STEEL
 - END FITTING: COATED CARBON STEEL
 - O-RING, STEM SEAL: VITON
 - BALL SEAT, THRUST WASHER: DELRIN
 - -20°F TO 215° F
 - BLOW-OUT PROOF STEM

- ACTUATOR NOTES:**
- 80-120 PSI OPERATING AIR PRESSURE
 - LIMIT SWITCHES AND SOLENOID VALVES AVAILABLE (SEE CATALOG FOR OPTIONS).



DRAWING NAME:
**PNEUMATIC ACTUATED HIGH-PRESSURE
 3-WAY BALL VALVES**

MATERIAL:	A	DRAWING NUMBER: P-ACT-CFM TT&TL	REV. 2
SCALE: N.T.S.	NAME: MCH	DATE: 10-14-16	