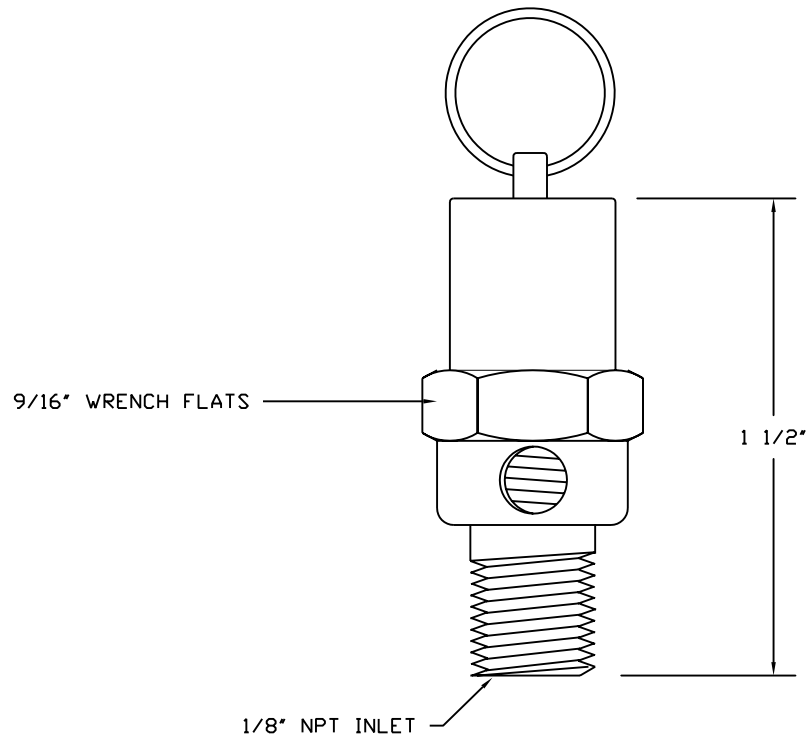


NOTE:  
PART NUMBER DATA  
PN: NCM1-\*

PRESSURE SETTING  
80 TO 225 PSI  
IN 5 PSI INCREMENTS



1. BRASS BODY, POPPET & SLEEVE
2. STAINLESS STEEL SPRING
3. SILICONE SEAL STANDARD
4. UNFIRED PRESSURE VESSEL
5. TEMPERATURE -65°F TO 250°F

THIS DOCUMENT IS PROPERTY OF UNIVERSAL COMPONENTS, INC.  
ANY REPRODUCTION, DISCLOSURE, OR USE OF THIS DOCUMENT IS  
EXPRESSLY PROHIBITED UNLESS OTHERWISE AGREED UPON IN WRITING.  
\*ALL SPECIFICATIONS SUBJECT TO CHANGE WITHOUT NOTICE.\*

<b>UCI</b>			
DRAWING NAME: 1/8" BRASS LOW PRESSURE NON-CODE RELIEF VALVE			
MATERIAL:	A	DRAWING NUMBER: NCM1-	REV. 1
SCALE: N.T.S.	NAME: MCH	DATE: 08.18.05	