

CONNECTOR  
(CONDUIT  
SHOWN)



PRESSURE FROM SOURCE (80-120 PSI)

VALVE  
SPOOL

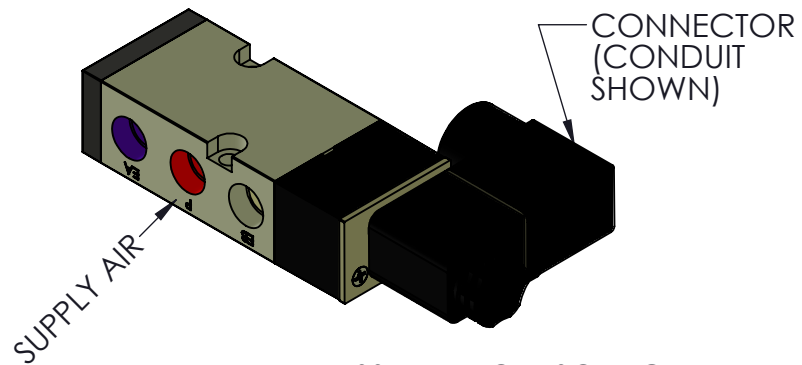
EXHAUST OPEN

COIL

NO VOLTAGE

SOURCE AIR  
DIRECTED HERE

### DEFAULT POSITION



CONNECTOR  
(CONDUIT  
SHOWN)



PRESSURE FROM SOURCE  
(80-120 PSI)

EXHAUST OPEN

SOURCE AIR  
DIRECTED HERE

COIL

VALVE  
SPOOL

OVER-RIDE  
BUTTON

VOLTAGE  
PRESENT  
(SIGNAL)

### ENERGIZED POSITION

1. BASIC OPERATION OF 4 WAY SOLENOID VALVE WITH NAMUR PATTERN
  2. APPLICABLE ACROSS ALL AVAILABLE VOLTAGES AND CONNECTION OPTIONS
  3. 3 WAY SIMILAR
  4. CONTACT FACTORY FOR ANY ADDITIONAL INFORMATION
- \*DOCUMENT TO BE USED FOR REFERENCE WHEN USED WITH UCI ACTUATORS AND VALVES  
\*VALVE SHOWN AS CUTAWAY TO ILLUSTRATE OPERATION

THIS DOCUMENT IS PROPERTY OF UNIVERSAL COMPONENTS, INC.  
ANY REPRODUCTION, DISCLOSURE, OR USE OF THIS DOCUMENT IS  
EXPRESSLY PROHIBITED UNLESS OTHERWISE AGREED UPON IN WRITING.  
\*ALL SPECIFICATIONS SUBJECT TO CHANGE WITHOUT NOTICE.\*



DRAWING NAME:

N4S-OPERATION

MATERIAL:  
--

A

DRAWING NUMBER:  
N4S-OPERATION

REV.  
1

SCALE: N.T.S.

NAME: MCH

DATE: 2/24/2023