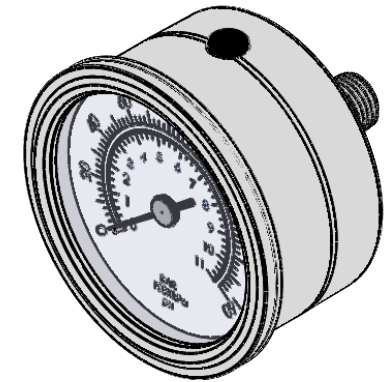
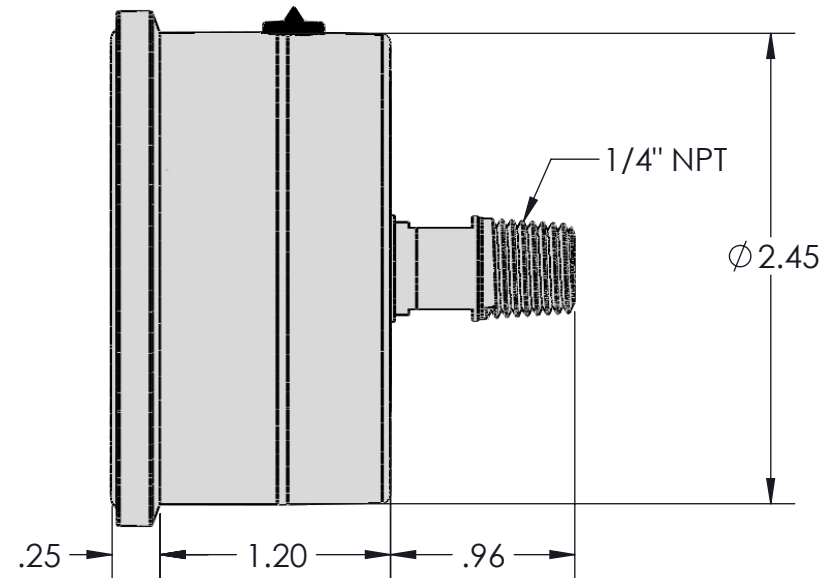
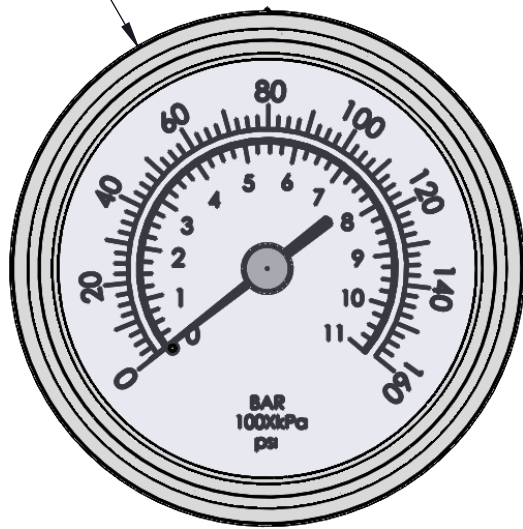


NOTES:

- **CASE:** 304 STAINLESS STEEL
- **DIAL:** ALUMINUM (WHITE FACE, BLACK/BLUE SCALE)
- **BOURDON TUBE:** 316 STAINLESS
- **CONNECTION:** 316 STAINLESS
- **LENSE:** ACRYLIC
- **SURGE PROTECTION:** STD.
- **ACCURACY:** ANSI GRADE B, 3%-2%-3%
- **RANGE:** -30hg TO 10,000 PSI (SEE ORDERING MATRIX)



Ø 2.67



THIS DOCUMENT IS PROPERTY OF UNIVERSAL COMPONENTS, INC.
 ANY REPRODUCTION, DISCLOSURE, OR USE OF THIS DOCUMENT IS
 EXPRESSLY PROHIBITED UNLESS OTHERWISE AGREED UPON IN WRITING.
 ALL SPECIFICATIONS SUBJECT TO CHANGE WITHOUT NOTICE.



DRAWING NAME:

2-1/2" ALL STAINLESS STEEL LIQUID FILLED 1/4" NPT
 CENTER BACK CONNECTION GAUGE

MATERIAL: --	A	DRAWING NUMBER: LSS2502-SERIES	REV. 1
SCALE: N.T.S.	NAME: MCH	DATE: 4/6/2020	