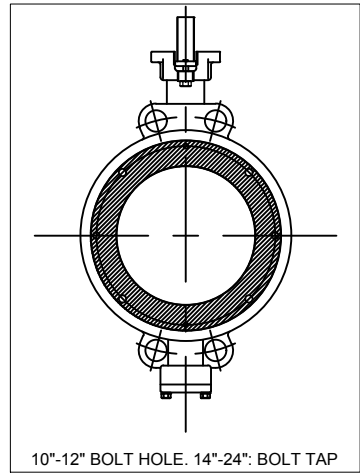



- VALVE NOTES:**
- ANSI CLASS 150 OR 300
 - MOUNTING PAD FOR ACTUATION (WITH KIT)
 - BLOW OUT PROOF SHAFT W/SELF LUBRICATING BEARINGS AND PTFE V-RINGS
 - ACCESSIBLE PACKING GLAND
 - LOWER SEALED SHAFT PACKING
 - LEAK TESTED PER MSS-SP61
 - TAGGED PER MSS-SP25, API 609B
 - TESTED PER API 598

- MATERIALS:**
- STEM: 17-4PH
 - DISC: ASTM A351 CF8M
 - SEAT: RPTFE
 - BODY: ASTM A351 CF8M

PLEASE REFER TO CATALOG FOR THE FULL RANGE OF OPTIONS AVAILABLE



HIGH PERFORMANCE BUTTERFLY - 150 CLASS WAFER										
PART #	A	B	C	D	E	F	G	H	TORQUE(I N LBS) SOFT SEAT	TORQUE(I N LBS) METAL SEAT
HB*W150-B*2	3.31	4.84	1.38	0.43	2.76	1.69	1.93	0.79 X 2	270	496
HB*W150-B*2.5	3.66	5.67	1.38	0.43	2.76	1.81	2.44	0.79 X 2	400	735
HB*W150-B*3	4.13	6.06	1.38	0.43	2.76	1.89	2.87	0.79 X 2	525	927
HB*W150-B*4	4.65	6.85	1.38	0.43	2.76	2.13	3.74	0.79 X 2	720	1193
HB*W150-B*5	5.39	7.68	1.38	0.55	2.76	2.20	4.72	0.91 X 2	1250	2067
HB*W150-B*6	6.14	8.50	1.38	0.67	2.76	2.24	5.55	0.91 X 2	1535	2262
HB*W150-B*8	7.28	9.84	1.97	0.87	4.02	2.52	7.64	0.91 X 2	2270	3417
HB*W150-B*10	9.17	11.22	1.97	0.87	4.92	2.83	9.41	1.02 X 4	3700	5549
HB*W150-B*12	10.24	12.80	1.97	1.06	4.92	3.19	11.30	1.02 X 4	5635	8375
HB*W150-B*14	11.65	14.57	1.97	1.06	4.92	3.62	13.03	1.14 X 4	9100	13813
HB*W150-B*16	13.35	16.54	2.17	1.41	5.51	4.02	15.08	1.14 X 4	12775	21523
HB*W150-B*18	14.29	17.52	3.15	0.63/0.39 KEY	6.50	4.49	17.09	1 1/8-8 X 4	17350	25062
HB*W150-B*20	16.46	19.69	3.15	0.63/0.39 KEY	6.50	5.00	18.98	1 1/8-8 X 4	24000	37028
HB*W150-B*24	18.43	22.64	4.33	0.79/0.47 KEY	10.00	6.06	22.83	1 1/8-8 X 6	31340	47009



DRAWING NAME:
**MANUAL HIGH-PERFORMANCE
 CLASS 150 WAFER BUTTERFLY VALVES**

MATERIAL:	A	DRAWING NUMBER: HBCW & HBSW-SERIES	REV. 2
SCALE: N.T.S.	NAME: MCH	DATE: 2-6-18	