

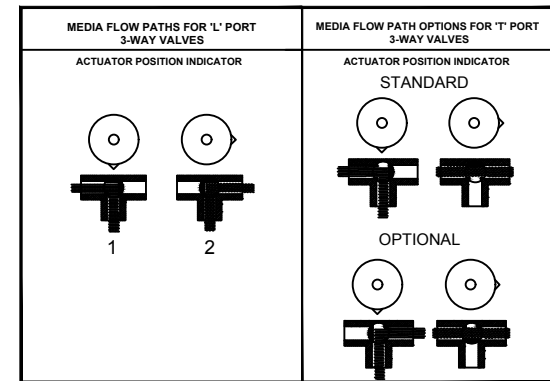
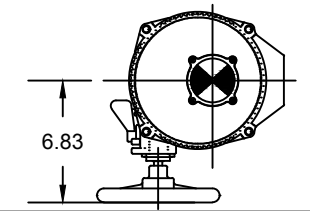
VALVE NOTES:

- 1000 PSI W.O.G. (SIZES 1/4" TO 2")
- 800 PSI W.O.G. (SIZES 2 1/2" TO 3")
- 316 SS BALL AND STEM
- CF8M SS BODY
- -20°F TO 450°F

ACTUATOR NOTES:

- IP67 RATED
- 2 LIMIT SWITCHES : STD
- INTERNAL HEATER: STD
- HIGH IMPACT ABS ACTUATORS LISTED
- AS STANDARD, METAL HOUSING UNITS AVAILABLE UPON REQUEST.
- -4°F TO 131°F

CRANK WHEEL: VB110M-VB350M ONLY



PART #	ACTUATOR MODEL		A	B	C	D	E	B ^M
	STANDARD	OPTIONAL						
E***S2F-2**	VB015	VB030M	2.83	7.02	4.84	6.41	0.43	9.48
E***S2F-3**	VB015	VB030M	2.83	7.02	4.84	6.41	0.47	9.48
E***S2F-4**	VB030	VB030M	3.26	9.05	6.18	7.48	0.59	9.70
E***S2F-6**	VB030	VB030M	3.89	9.05	6.18	7.48	0.79	9.70
E***S2F-8**	VB060	VB060M	4.40	10.64	7.28	7.82	0.98	10.90
E***S2F-10**	VB060	VB060M	4.92	10.94	7.28	7.82	1.25	11.20
E***S2F-12**	VB110	VB110M	5.86	12.02	8.31	8.86	1.49	12.53
E***S2F-16**	VB190	VB190M	6.85	12.77	8.31	6.85	1.96	13.28

PART #	ACTUATOR MODEL		A	B	C	D	E	B ^M
	STANDARD	OPTIONAL						
E***S2S-4**	VB015	VB030M	2.83	7.02	4.84	6.41	0.47	9.48
E***S2S-6**	VB030	VB030M	3.26	9.05	6.18	7.48	0.59	9.68
E***S2S-8**	VB030	VB030M	3.89	9.05	6.18	7.48	0.78	9.68
E***S2S-10**	VB060	VB060M	4.40	10.64	7.28	7.82	0.96	10.90
E***S2S-12**	VB060	VB060M	4.92	10.94	7.28	7.82	1.25	11.20
E***S2S-16**	VB110	VB110M	4.92	12.02	8.31	7.82	1.25	12.53

*115V = 115VAC
 *240V = 240 VAC
 *012D = 12VDC
 *024D = 24VDC
 B^M = OPTIONAL METAL ACTUATOR
 ** T = T PORT
 TL = L PORT

THIS DOCUMENT IS PROPERTY OF UNIVERSAL COMPONENTS, INC. ANY REPRODUCTION, DISCLOSURE, OR USE OF THIS DOCUMENT IS EXPRESSLY PROHIBITED UNLESS OTHERWISE AGREED UPON IN WRITING. *ALL SPECIFICATIONS SUBJECT TO CHANGE WITHOUT NOTICE.*

CONSULT ORDERING MATRIX FOR OPTIONS AND MATERIALS



DRAWING NAME:
ELECTRICALLY ACTUATED 1000 PSI 2-WAY FULL STAINLESS STEEL BALL VALVES

MATERIAL:	A	DRAWING NUMBER: E-ACT-S2F-TT&TL	REV. 1
SCALE: N.T.S.	NAME: MCH	DATE: 10-17-2016	