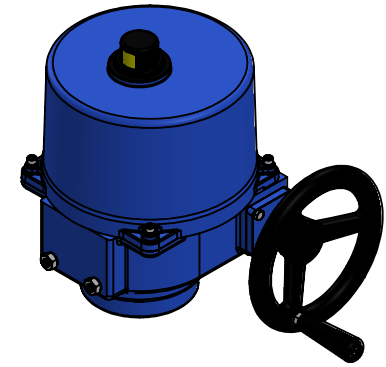
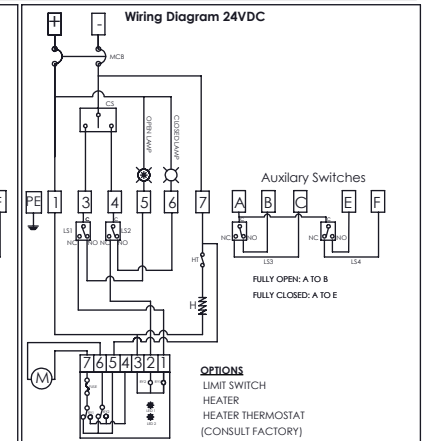
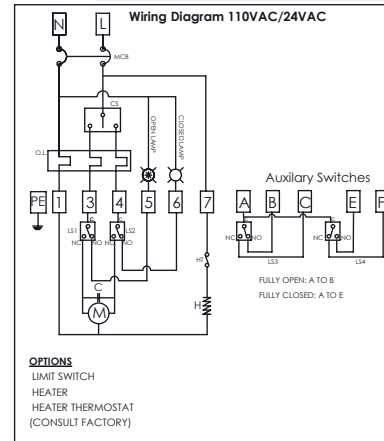


	A	B	C	D	E	SQ	ISO
EAX 080	7.01	13.07	4.72	13.07	4.76	22	F07
EAX 130	7.01	13.07	4.72	13.07	4.76	22	F07
EAX 360	8.46	14.57	5.71	15.83	7.52	36	F10
EAX 450	8.46	14.57	5.71	15.83	7.52	36	F10



FEEDBACK/ AUXILIARY SWITCH WIRING NOTES:
 -Standard Feedback Switches Will Pass the Line Voltage. Connections to Terminals 5, Opened, and 6, Closed, are Capable of 5 Amps of Current for Driving Lamps, Relays, and Small Inductive Loads.
 -If the Line Voltage is the Same as the Input Voltage of a controller, the Contacts, 5 and 6, Provide Digital Feedback.
 -Auxiliary Feedback Switches are Dry Contacts for use with Any Load 5 Amps or Less at 24V AC/DC, 110VAC, or 220VAC. Adequate Circuit Protection is Required.

APPROVALS:
 Class I, Division 1, Groups C, D, T4
 Class II, Division 1, Groups E, F, G T130°C
 Type 4x
 Ex db IIB T4 Gb (For Canada)
 Class I, Zone 1, AEx db IIB T4 Gb (For US)
 Ex tb IIIC T130°C Db (For Canada)
 Zone 21, AEx tb IIIC T130°C Db (For US)
 IP68 (72h, 7m)



GENERAL SPECIFICATIONS				
	EAX-80	EAX-130	EAX-360	EAX-450
TORQUE (IN LBS)	800	1330	3450	4450
CONSUMPTION	40 VA	40VA	80 VA	80 VA
CYCLE TIME	15 SEC.	22 SEC.	16 SEC.	22 SEC
TEMP RANGE	-22F TO 150F			
HEATER	STD			
VOLTAGES	110 VAC, 220 VAC, 24 VAC, 24 VDC			
DUTY CYCLE	30% (24VDC/VAC, 110 VAC, 220 VAC), 75% ALL VOLTAGES WITH 4-20mA POSITIONER			

THIS DOCUMENT IS PROPERTY OF UNIVERSAL COMPONENTS, INC. ANY REPRODUCTION, DISCLOSURE, OR USE OF THIS DOCUMENT IS EXPRESSLY PROHIBITED UNLESS OTHERWISE AGREED UPON IN WRITING. *ALL SPECIFICATIONS SUBJECT TO CHANGE WITHOUT NOTICE.*

DRAWING NAME: EAX80-450- ELECTRIC ACTUATOR			
MATERIAL: --	A	DRAWING NUMBER: EAX80-450	REV. 1
SCALE: N.T.S.	NAME: MCH	DATE: 8-8-2024	