

ELECTRIC ACTUATED WAFER STYLE BUTTERFLY SERIES

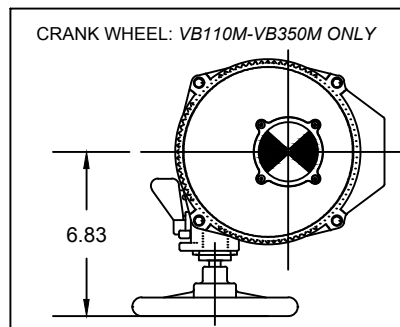
PART #	ACTUATOR MODEL #		A	B _M	C	D	E	F	B
	STANDARD	OPTIONAL PLASTIC							
E***M/B**W-1.5	VB030M	VB030	3.88	13.74	7.34	6.33	(4X) 0.75	1.61	14.37
E***M/B**W-2	VB030M	VB030	4.75	14.37	7.34	6.33	(4X) 0.75	1.65	15.00
E***M/B**W-2.5	VB030M	VB030	5.50	14.92	7.34	6.33	(4X) 0.75	1.76	15.55
E***M/B**W-3	VB030M	VB030	6.00	15.16	7.34	6.33	(4X) 0.75	1.78	15.79
E***M/B**W-4	VB060M	VB060	7.50	16.59	7.82	6.94	(4X) 0.75	2.05	16.85
E***M/B**W-5	VB110M	VB110	8.50	17.99	10.68	4.00	(4X) 0.87	2.14	18.55
E***M/B**W-6	VB190M	VB190	9.50	18.55	10.68	4.00	(4X) 0.87	2.20	19.06
E***M/B**W-8	VB270M	VB270	11.75	20.04	10.89	10.08	(4X) 0.87	2.34	20.65
E***M/B**W-10	VB350M	VB350	14.25	21.30	10.89	10.08	(4X) 1.00	2.58	21.91
E***M/B**W-12	VB350M	VB350	17.00	C/F	C/F	C/F	(4X) 1.00	3.03	C/F

E***:
 115V = 115VAC
 240V = 240 VAC
 012D = 12VDC
 024D = 24VDC

B**:
 N* = NYLON COATED DISC
 S* = STAINLESS DISC
 *E = EPDM SEAT
 *V = VITON SEAT

EXAMPLE:
 E115/BNEW-1.5 = 1-1/2" 115 VAC ELEC ACTUATED
 WAFER STYLE BUTTERFLY WITH NYLON COATED DISC AND
 EPDM SEAT.
 B_M: METAL ACTUATOR DIMENSION
 B: ABS ACTUATOR DIMENSION

REFER TO CATALOG FOR FURTHER ORDERING INFORMATION



NOTE:
 2-12" With EPDM Seats are NSF 61, ANSI 372 Certified

DRAWING NAME: ACTUATED VALVES: ELECTRIC WAFER STYLE BUTTERFLY			
MATERIAL:	A	DRAWING NUMBER: E-ACT-WAFER-STYLE-BUTTERFLY	REV. 5
SCALE: N.T.S.	NAME: MCH	DATE: 8-8-19	