

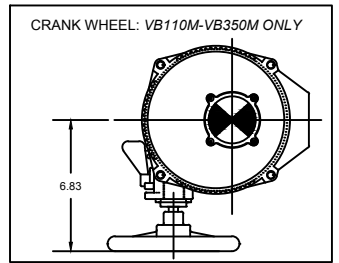
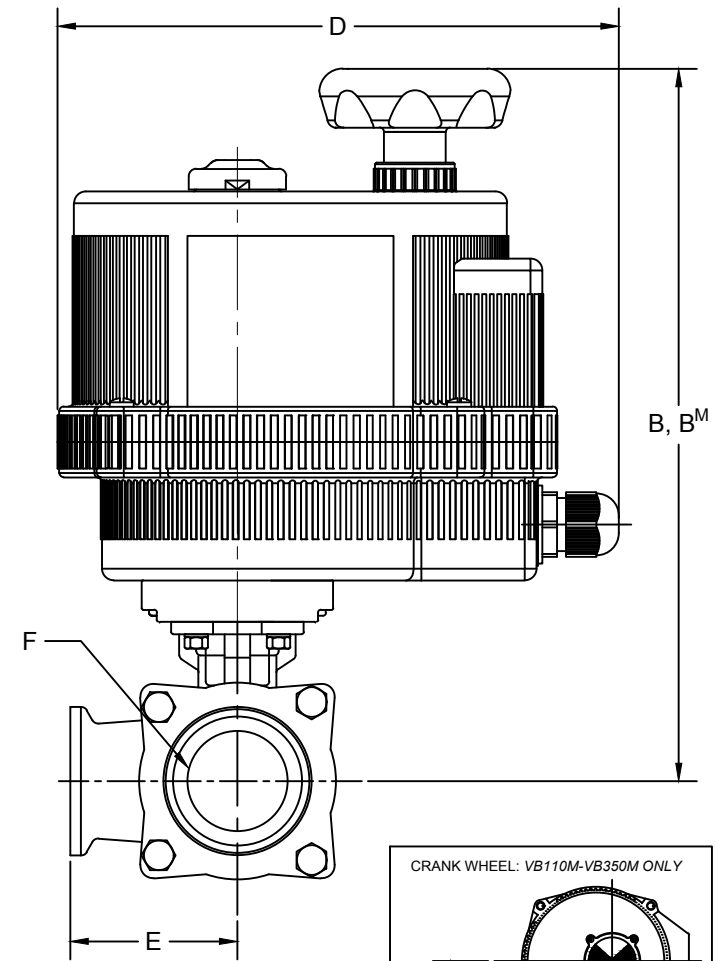
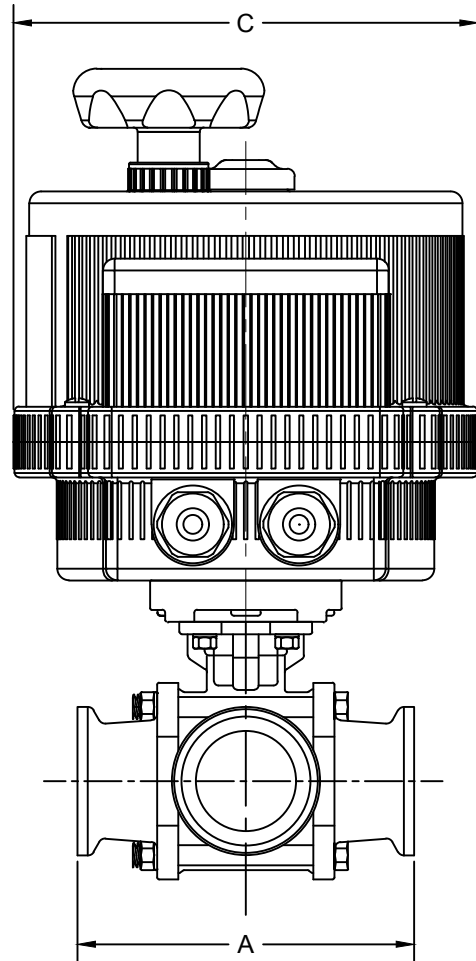
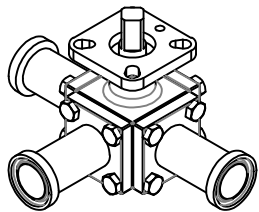
ACTUATOR NOTES:

- IP67 RATED
- 2 LIMIT SWITCHES : STD
- INTERNAL HEATER: STD
- HIGH IMPACT ABS ACTUATORS LISTED AS STANDARD.
- METAL HOUSING UNITS AVAILABLE UPON REQUEST.
- -4°F TO 131°F

VALVE NOTES:

- CF8M STAINLESS STEEL BODY
- 316 STAINLESS STEEL BALL AND STEM
- 29" Hg-1000 PSIG WOG COLD NON-SHOCK
- BLOWOUT PROOF STEM
- CAVITY FILLED TEFLON SEATS STD (NON CAVITY FILLED AVAILABLE, SEE CATALOG)
- TEMP 0° TO 400° F

1" - UP ARE 3-PC CONSTRUCTION.
3/4" AND 1/2" VALVES ARE 'BLOCK BODY' STYLE (BELOW)

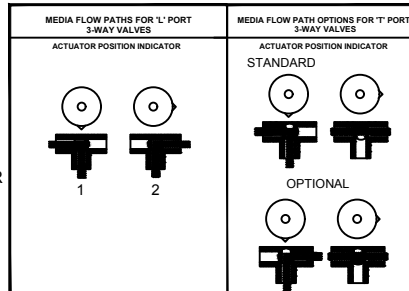


ELECTRIC ACTUATED STAINLESS STEEL 3-WAY (STC)

PART #	SIZE	ACTUATOR MODEL		A	B	C	D	E	F	B ^M
		STANDARD	OPTIONAL							
E***/STC-4T*	1/2"	VB015	N/A	4.33	7.11	4.84	6.41	2.16	0.37	N/A
E***/STC-6T*	3/4"	VB015	N/A	4.69	7.34	4.84	6.41	2.34	0.62	N/A
E***/STC-8T*	1"	VB030	VB030M	4.50	10.16	6.18	7.34	2.25	1.13	10.16
E***/STC-12T*	1 1/2"	VB060	VB060M	5.50	11.35	7.28	8.43	2.75	1.37	11.01
E***/STC-16T*	2"	VB060	VB060M	6.25	11.72	7.28	8.43	3.13	1.87	11.38
E***/STC-24T*	3"	VB110	VB110M	9.00	13.91	8.31	9.33	4.50	2.88	14.42
E***/STC-32T*	4"	VB190	VB190M	9.50	14.35	8.31	9.33	4.75	3.83	15.01

REFER TO CATALOG FOR FURTHER ORDERING INFORMATION

*115V = 115VAC
*240V = 240 VAC
*012D = 12VDC
*024D = 24VDC
**TT = T-Port
**TL = L-Port
B^M = OPTIONAL METAL ACTUATOR



DRAWING NAME:

ELECTRIC ACTUATED STAINLESS STEEL 3-WAY T AND L PORT TRI-CLAMP SANITARY 1000 PSI VALVES

MATERIAL:	A	DRAWING NUMBER: E-ACT-STC TT&TL	REV. 3
SCALE: N.T.S.	NAME: MCH	DATE: 8-14-19	