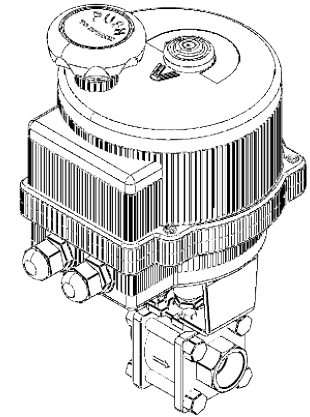
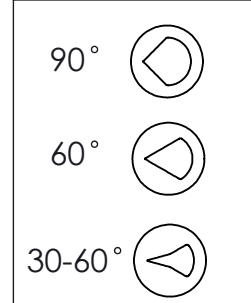


V-PORT OPTIONS



VALVE NOTES:

- STAINLESS STEEL 3- PEICE
- 1000 PSI (250 STEAM)
- -4f TO 406f
- 90 DEGREE V-PORT BALL, 60 & 30-60 DEGREE AVAILABLE
- 25% CARBON PTFE SEATS
- VITON SEAT -ORING & STEM O-RING
- RPTFE STEM SEAL
- NACE MR 017/ISO 15156 AND NACE MR 0103 COMPLIANT

ACTUATOR NOTES:

- 1P-67 HOUSING, ABS STD, ALUMINUM AVAILABLE
- -4 TO 131 OPERATING TEMP
- 2 INTERNAL LIMIT SWITCHES
- SHOWN WITH 4-20mA POSITIONING MODEL
- VISUAL POSITION INDICATOR
- MANUAL OVER-RIDE

PART NO:	NPT SIZE	A	B	B _M	C	D	E	BRACKET	ACTUATOR	OPTIONAL ACTUATOR
E***-S**V-4	1/2	2.55	9.42	10.05	6.19	5.10	2.38	RI3789	VB030-	VB030M-
E***-S**V-6	3/4	2.99	10.96	11.32	6.19	5.10	2.38	RI3781	VB030-	VB030M-
E***-S**V-8	1	3.62	11.16	11.79	6.19	5.10	2.38	RI3030	VB030-	VB030M-
E***-S**V-10	1-1/4	4.19	11.31	11.94	6.19	5.10	2.38	RI3030	VB030-	VB030M-
E***-S**V-12	1-1/2	4.56	12.99	13.25	7.28	5.76	2.66	RI3031	VB060-	VB060M-
E***-S**V-16	2	5.35	13.95	14.21	7.28	5.76	2.66	RI3034	VB060-	VB060M-
E***-S**V-24	3	7.08	15.98	16.49	8.31	6.09	3.77	RI3003	VB110-	VB110M-
E***-S**V-32	4	8.54	16.59	17.10	8.31	6.09	3.77	RI3004	VB190-	VB190M-

PORT:
 S90V = 90 V
 S60V = 60 V
 S30-60 = 30/60 V

VOLTAGES:
 E***:
 E012D = 12V
 E024D = 24V
 E115V = 110/120V
 E240V = 220/240V

THIS DOCUMENT IS PROPERTY OF UNIVERSAL COMPONENTS, INC.
 ANY REPRODUCTION, DISCLOSURE, OR USE OF THIS DOCUMENT IS
 EXPRESSLY PROHIBITED UNLESS OTHERWISE AGREED UPON IN WRITING.
 ALL SPECIFICATIONS SUBJECT TO CHANGE WITHOUT NOTICE.



DRAWING NAME:

ELECTRIC ACTUATED 2-WAY V-PORT STAINLESS STEEL 2-WAY
 BALL VALVES, 1000 PSI

MATERIAL: --	A	DRAWING NUMBER: E-ACT-S90V-SERIES	REV. 2
SCALE: N.T.S.	NAME: MCH	DATE: 3/5/2019	