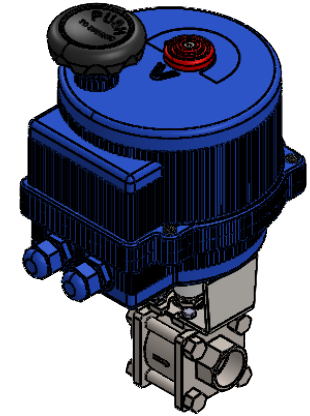
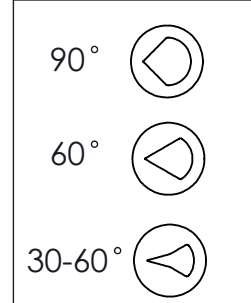


V-PORT OPTIONS



VALVE NOTES:

- STAINLESS STEEL 3- PEICE
- 1000 PSI (250 STEAM)
- -4f TO 406f
- 90 DEGREE V-PORT BALL, 60 & 30-60 DEGREE AVAILABLE
- 25% CARBON PTFE SEATS
- VITON SEAT -ORING & STEM O-RING
- RPTFE STEM SEAL
- NACE MR 017/ISO 15156 AND NACE MR 0103 COMPLIANT

ACTUATOR NOTES:

- 1P-67 HOUSING, ABS STD, ALUMINUM AVAILABLE
- -4 TO 131 OPERATING TEMP
- 2 INTERNAL LIMIT SWITCHES
- SHOWN WITH 4-20mA POSITIONING MODEL
- VISUAL POSITION INDICATOR
- MANUAL OVER-RIDE
- NON POSITIONING AVAILABLE (C/F)

PART NO:	NPT SIZE	A	B	Bm	C	D	E	BRACKET	ACTUATOR	OPTIONAL ACTUATOR
E***-S3FV**-4	1/2	2.55	9.42	10.05	6.19	5.10	2.38	RI3789	VB03042-	VB03042M-
E***-S3FV**-6	3/4	2.99	10.96	11.32	6.19	5.10	2.38	RI3781	VB03042-	VB03042M-
E***-S3FV**-8	1	3.62	11.16	11.79	6.19	5.10	2.38	RI3030	VB03042-	VB03042M-
E***-S3FV**-10	1-1/4	4.19	11.31	11.94	6.19	5.10	2.38	RI3030	VB03042-	VB03042M-
E***-S3FV**-12	1-1/2	4.56	12.99	13.25	7.28	5.76	2.66	RI3031	VB06042-	VB06042M-
E***-S3FV**-16	2	5.35	13.95	14.21	7.28	5.76	2.66	RI3034	VB06042-	VB06042M-
E***-S3FV**-24	3	7.08	15.98	16.49	8.31	6.09	3.77	RI3003	VB11042-	VB11042M-
E***-S3FV**-32	4	8.54	16.59	17.10	8.31	6.09	3.77	RI3004	VB19042-	VB19042M-

PORT:

- V90 = 90 DEGREE
- V60 = 60 DEGREE
- V36 = 30/60 DEGREE

VOLTAGES:

- E***:
- E012D = 12V
- E024D = 24V
- E115V = 110/120V
- E240V = 220/240V

THIS DOCUMENT IS PROPERTY OF UNIVERSAL COMPONENTS, INC. ANY REPRODUCTION, DISCLOSURE, OR USE OF THIS DOCUMENT IS EXPRESSLY PROHIBITED UNLESS OTHERWISE AGREED UPON IN WRITING. *ALL SPECIFICATIONS SUBJECT TO CHANGE WITHOUT NOTICE.*



DRAWING NAME:

ELECTRIC ACTUATED 2-WAY V-PORT STAINLESS STEEL 2-WAY BALL VALVES, 1000 PSI

MATERIAL: --	A	DRAWING NUMBER: E-ACT-S3FV-SERIES	REV. 3
SCALE: N.T.S.	NAME: MCH	DATE: 8/25/2023	