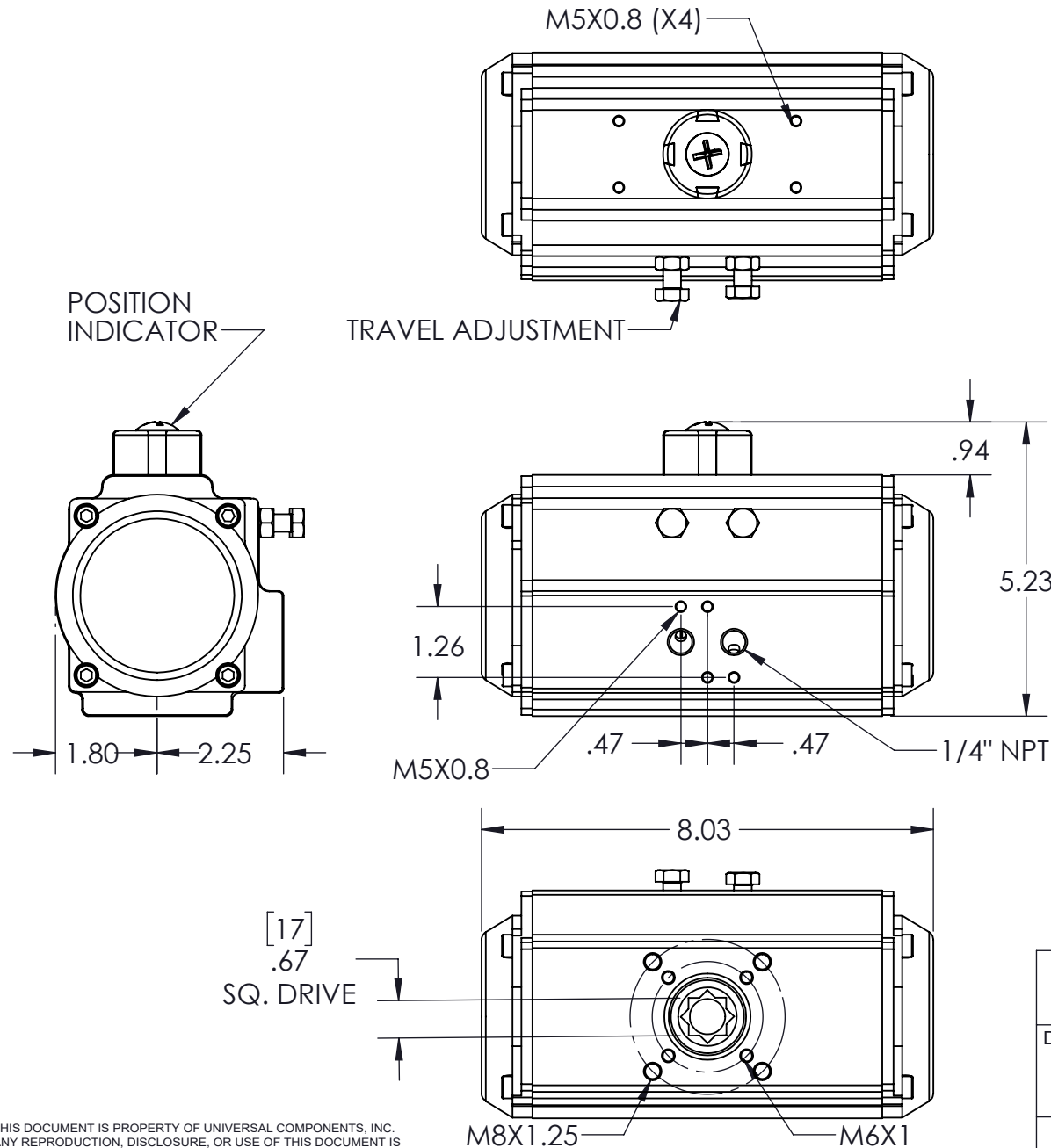
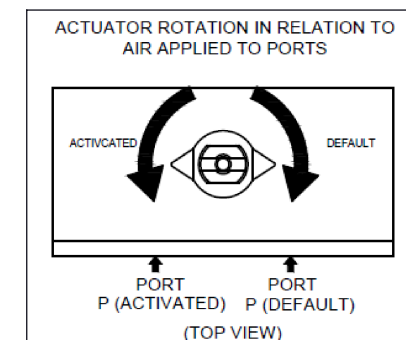


**NOTES:**

- ALUMINUM BODY
- NBR SEALS
- NAMUR MOUNT
- ISO PATTERN ON BOTTOM AND TOP FOR EASY MOUNTING
- 5° ADJUSTABLE STOPS
- VISUAL INDICATOR

OUTPUT @ 80 PSI	
DA83	766 IN LBS
SR83	316 IN LBS



THIS DOCUMENT IS PROPERTY OF UNIVERSAL COMPONENTS, INC. ANY REPRODUCTION, DISCLOSURE, OR USE OF THIS DOCUMENT IS EXPRESSLY PROHIBITED UNLESS OTHERWISE AGREED UPON IN WRITING. \*ALL SPECIFICATIONS SUBJECT TO CHANGE WITHOUT NOTICE.\*

DRAWING NAME: DA/SR-83 PNEUMATIC ACTUATOR		
MATERIAL: --	A DRAWING NUMBER: DA-SR-83	REV. 1
SCALE: N.T.S.	NAME: MCH	DATE: 6/25/2024