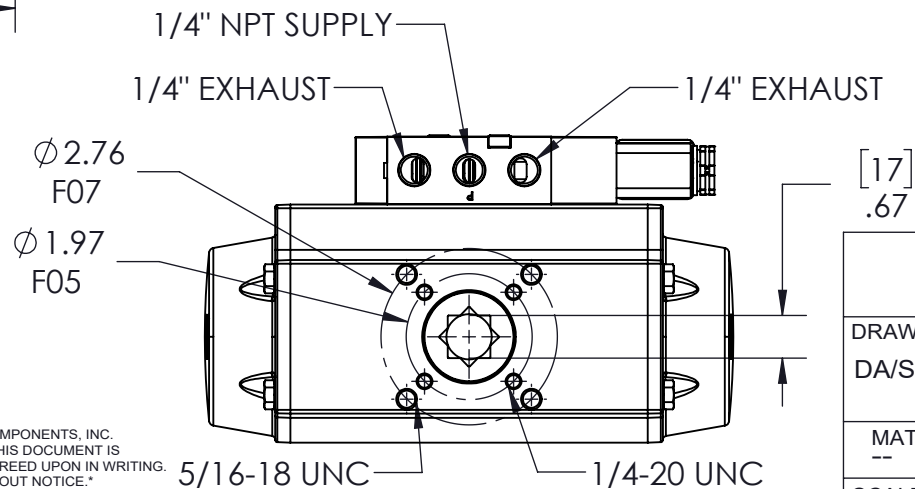
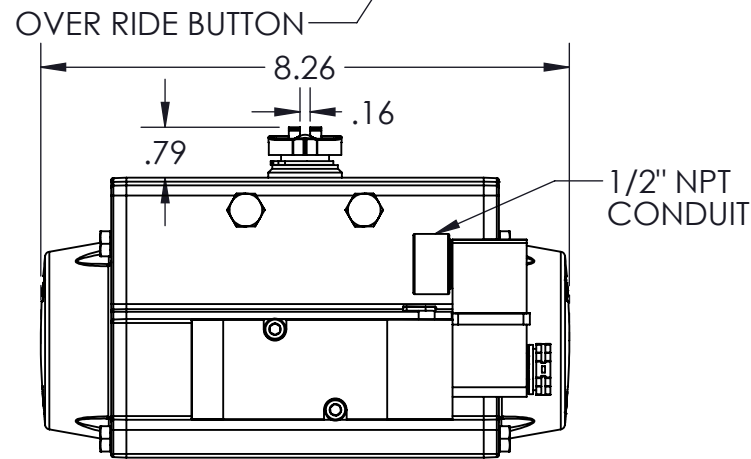
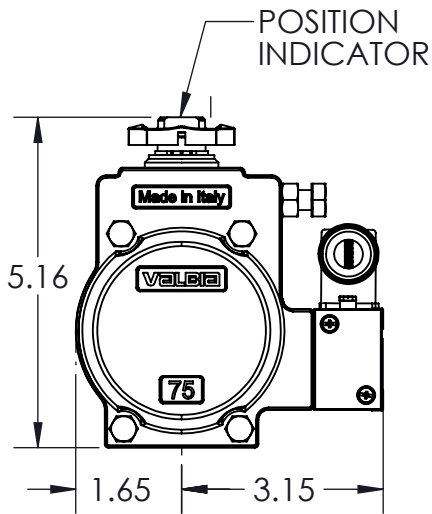


**NOTES:**

- ALUMINUM BODY
- VITON SEALS
- NAMUR MOUNT 4-WAY SOLENOID VALVE
- ISO PATTERN ON BOTTOM AND TOP
- 5° ADJUSTABLE STOPS
- VISUAL INDICATOR
- DA: DOUBLE-ACTING
- SR: SPRING RETURN



ACTUATOR OUTPUT @ 80 PSI	
DA75	586 IN LBS
SR75	157 IN LBS
AVAILABLE SOLENOID VOLTAGES	
12VAC	12VDC
24VAC	24VDC
110/120 VAC	
220/240 VAC	
DA75	586 IN LBS

THIS DOCUMENT IS PROPERTY OF UNIVERSAL COMPONENTS, INC. ANY REPRODUCTION, DISCLOSURE, OR USE OF THIS DOCUMENT IS EXPRESSLY PROHIBITED UNLESS OTHERWISE AGREED UPON IN WRITING. \*ALL SPECIFICATIONS SUBJECT TO CHANGE WITHOUT NOTICE.\*

DRAWING NAME: DA/SR-75 PNEUMATIC ACTUATOR W/4 WAY SOLENOID W/CONDUIT CONNECTOR			
MATERIAL: --	A	DRAWING NUMBER: DA-SR-75-N4S-C	REV. 1
SCALE: N.T.S.	NAME: MCH	DATE: 6/25/2024	