

NOTES:

TO ORDER A SPECIFIC RANGE, ADD SET PRESSURE TO END OF PART NUMBER.

EXAMPLE:

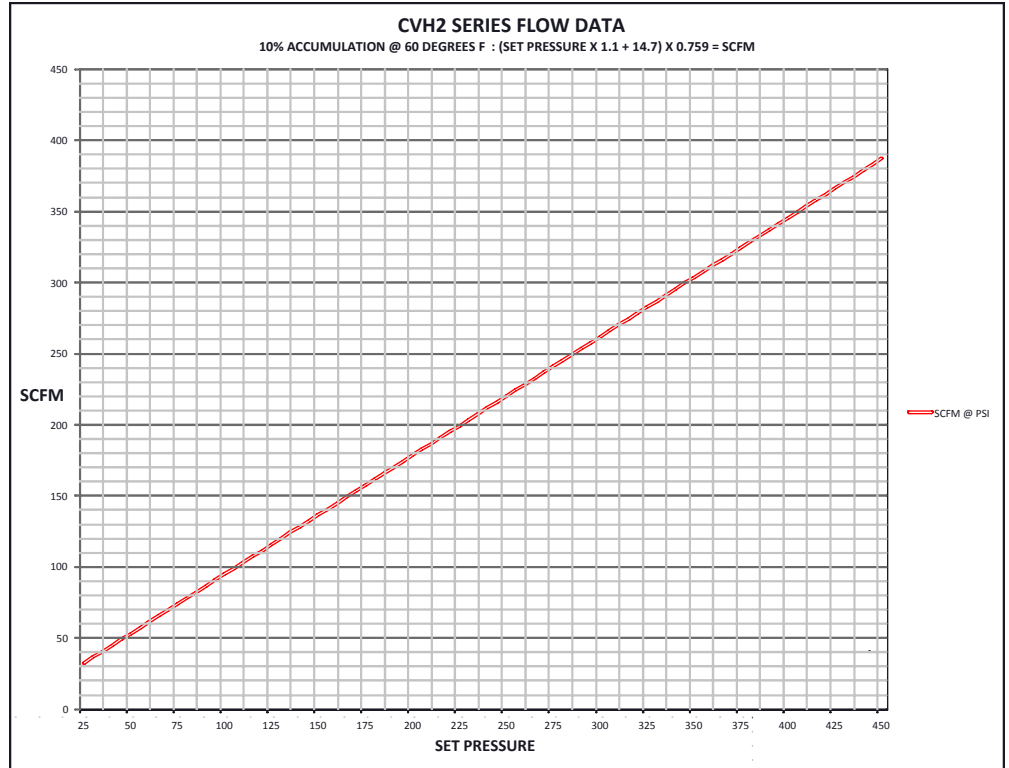
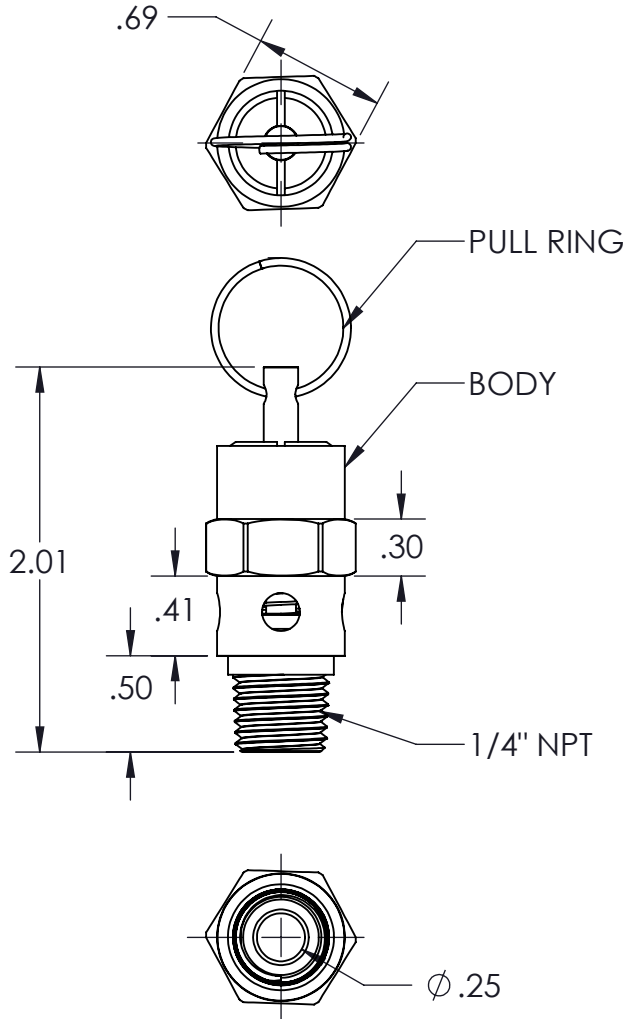
125 PSI SET PRESSURE WILL BE 'CVH2-125'. TO ORDER THIS SAME VALVE WITH VITON SEAT, ADD 'V' TO END OF NUMBER. 'CVH2-125V'

FOR STAINLESS STEEL SPRING, ADD 'SS' TO PART. 'CVH2-125VSS'

ALL VALVES FACTORY SET.

'POP' SETTING ±3%; ±2 PSIG BELOW SET PRESSURE OF 70 PSIG.

WORKING PRESSURE: 10% LESS THAN SET PRESSURE OR 5 PSIG FOR SETTINGS BELOW 50 PSIG



SCFM OUTPUT AT SET PRESSURE																	
SET PSI	25	30	35	40	45	50	55	60	65	70	75	80	85	90	95	100	105
SCFM	36	40	44	48	52	56	61	65	69	73	77	81	86	90	94	98	102
SET PSI	110	115	120	125	130	135	140	145	150	155	160	165	170	175	180	185	190
SCFM	107	111	115	119	123	127	132	136	140	144	148	152	157	161	165	169	173
SET PSI	195	200	205	210	215	220	225	230	235	240	245	250	255	260	265	270	275
SCFM	178	182	186	190	194	198	203	207	211	215	219	223	228	232	236	240	244
SET PSI	280	285	290	295	300	305	310	315	320	325	330	335	340	345	350	355	360
SCFM	248	253	257	261	265	269	274	278	282	286	290	294	299	303	307	311	315
SET PSI	365	370	375	380	385	390	395	400	405	410	415	420	425	430	435	440	445
SCFM	319	324	328	332	336	340	344	349	353	357	361	365	370	374	378	382	386

MATERIALS	
BODY	BRASS
SPRING	PLATED STEEL
SEAL	SILICON (STD)
RATINGS:	UNFIRED PRESSURE VESSEL, ASME, NB, UV, CRN# 03378.0-9
OPTIONS:	VITON (SEAL) STAINLESS SPRING
TEMP RANGE	-65°F TO 250°F



DRAWING NAME: CVH2 SERIES RELIEF VALVES		
MATERIAL: --	A DRAWING NUMBER: CVH2-SPEC	REV. 4
SCALE: N.T.S.	NAME: MCH	DATE: 1/26/2021

THIS DOCUMENT IS PROPERTY OF UNIVERSAL COMPONENTS, INC. ANY REPRODUCTION, DISCLOSURE, OR USE OF THIS DOCUMENT IS EXPRESSLY PROHIBITED UNLESS OTHERWISE AGREED UPON IN WRITING. *ALL SPECIFICATIONS SUBJECT TO CHANGE WITHOUT NOTICE.*