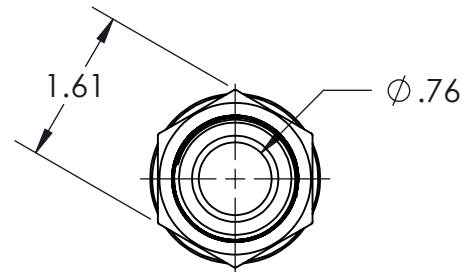
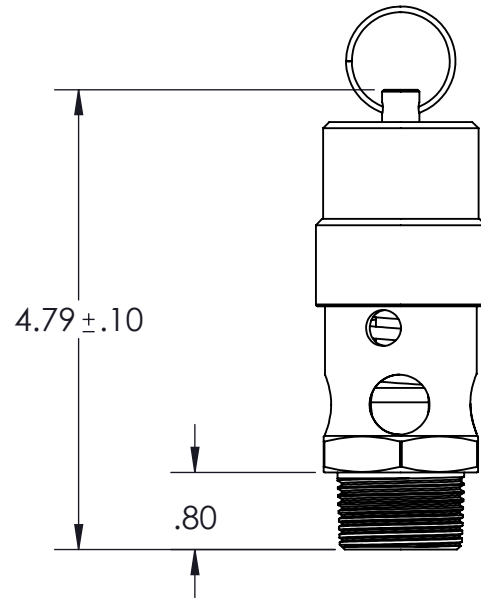
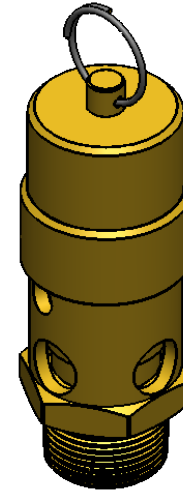
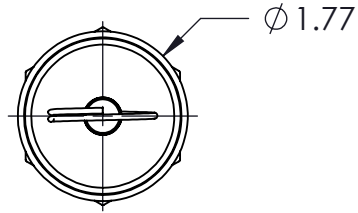


FEATURES:

- Brass Body
- Silicon Seal, Standard
- Optional Viton Seal, Suffix "V"
- ASME, NB, UV & CRN
- Unfired Pressure Vessel
- Temperature Range -65F to 250F
- Relieves +/- 3% of Set Pressure



CV8 FLOW RATES

SET (PSI)	25	30	35	40	45	50	55	60	65
FLOW (SCFM)	292	330	368	406	444	482	520	558	597
SET (PSI)	70	75	80	85	90	95	100	110	160
FLOW (SCFM)	635	673	711	749	787	825	863	939	1320
SET (PSI)	170	175	180	190	200	210	220	230	240
FLOW (SCFM)	1396	1434	1472	1548	1624	1700	1776	1852	1929
SET (PSI)	250	260	270	275	280	290	300		
FLOW (SCFM)	2005	2081	2157	2195	2233	2309	2385		

PART ORDERING EXAMPLE: CV8- 120 = 120 PSI RELIEF PRESSURE, SILICONE SEAT
 CV8- 120V = 120 PSI RELIEF PRESSURE, VITON SEAT

THIS DOCUMENT IS PROPERTY OF UNIVERSAL COMPONENTS, INC.
 ANY REPRODUCTION, DISCLOSURE, OR USE OF THIS DOCUMENT IS
 EXPRESSLY PROHIBITED UNLESS OTHERWISE AGREED UPON IN WRITING.
 ALL SPECIFICATIONS SUBJECT TO CHANGE WITHOUT NOTICE.



DRAWING NAME:
 1" NPT BRASS RELIEF VALVE WITH PULL RING

MATERIAL: --	A	DRAWING NUMBER: CV-8	REV. 1
SCALE: N.T.S.	NAME: MCH	DATE: 9/8/2020	