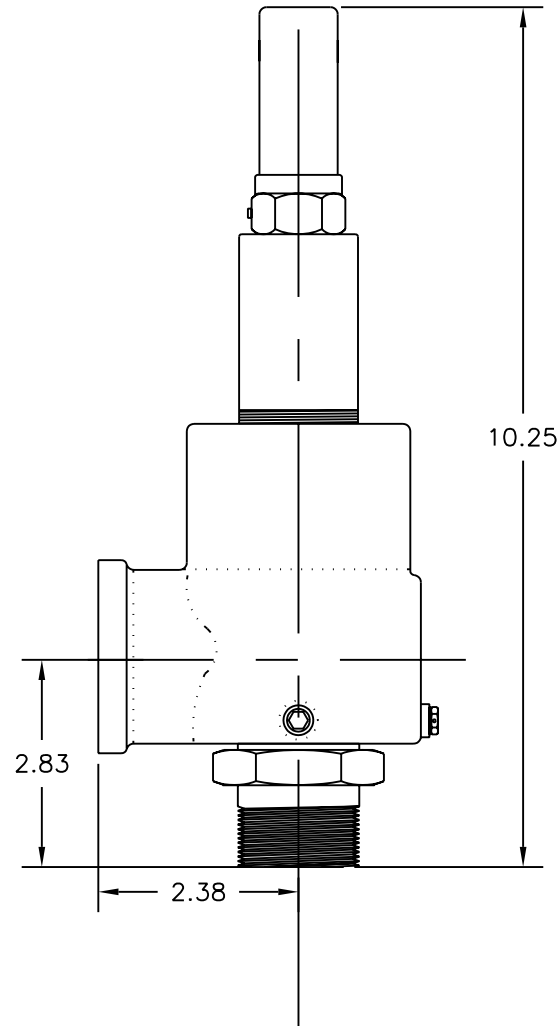


BRONZE, CARBON STEEL OR ALL STAINLESS CONSTRUCTION
 ONE TRIM DESIGN SUITABLE FOR STEAM, AIR OR GAS
 METAL TO METAL OR PCTFE OR ELASTOMER O-RING SEATS
 SHORT TUNED BLOWDOWN AND BACKPRESSURE TIGHT BODY MINIMIZES
 LOW FUGITIVE EMISSIONS AND PRODUCT LOSS
 SET PRESSURE RANGE 5-900 PSI @ 800°F MAXIMUM
 HIGH CAPACITY FULL NOZZLE DESIGN
 STAINLESS STEEL SPRINGS
 INTEGRAL LIFT STOP, SELF ALIGNING PIVOTING DISC
 API SEAT TIGHTNESS, STANDARD ALL MODELS

ASME & CSA CERTIFICATIONS:
 ASME SECTION VIII: AIR STEAM
 AND LIQUID SERVICE, SIZES 1/2" TO 2" NPT
 CSA B51 CRN OG8547.5C



NOTE:
 PART NUMBER DATA
 PN: CV5** - ### - *****

51: BRONZE/BRASS
 52: BRONZE/STAINLESS
 53: CARBON/STAINLESS
 54: ALL STAINLESS

CAP:
 1: SCREWED
 2: SCREWED+GAG
 3: PACKED LEVER
 4: PACKED+GAG

SET PRESSURE
 (5-900 PSI)

SEAT MATERIAL
 M: METAL
 B: BUNA-N
 E: EPR
 K: PCTFE
 N: NEOPRENE
 S: SILICONE
 V: VITON

ORAFICE GROUP:
 D,E,F,G,H,J

SERVICE
 J: SEC VIII LIQUID
 K: SEC VIII AIR/GAS
 L: SEC VIII STEAM
 M: NON CODE LIQUID
 N: NON CODE AIR/GAS
 P: NON CODE STEAM
 Q: VACUUM(CONSULT
 FACTORY)

SPECIAL OPTIONS
 HT: HIGH TEMPERATURE SPRING
 OX: CLEANED FOR OXYGEN
 (IF NO OPTIONS NEEDED, LEAVE
 BLANK)



DRAWING NAME: 1 1/4" MNPT X 1 1/2" FNPT RELIEF VALVE			
MATERIAL:	A	DRAWING NUMBER: CV500-1012-	REV. 1
SCALE: N.T.S.	NAME: MCH	DATE: 08.05.05	

THIS DOCUMENT IS PROPERTY OF UNIVERSAL COMPONENTS, INC.
 ANY REPRODUCTION, DISCLOSURE, OR USE OF THIS DOCUMENT IS
 EXPRESSLY PROHIBITED UNLESS OTHERWISE AGREED UPON IN WRITING.
 ALL SPECIFICATIONS SUBJECT TO CHANGE WITHOUT NOTICE.