

NOTES:

TO ORDER A SPECIFIC RANGE, ADD SET PRESSURE TO END OF PART NUMBER.

EXAMPLE:

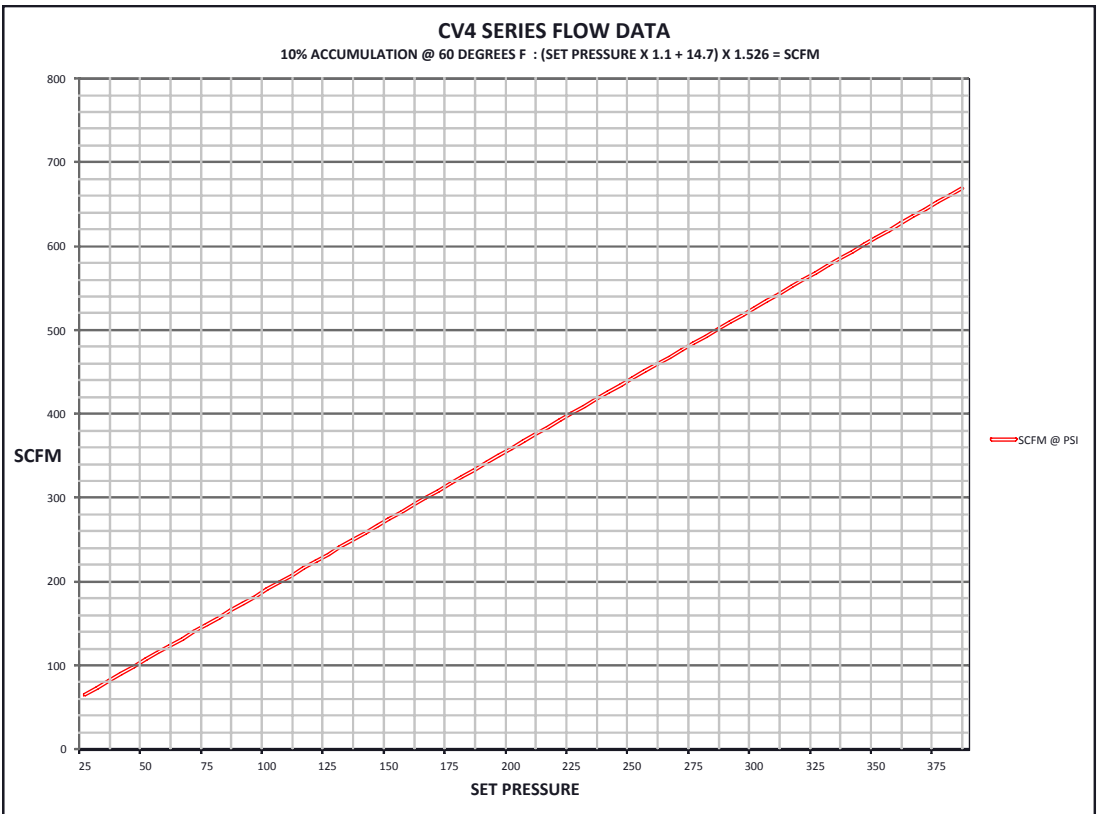
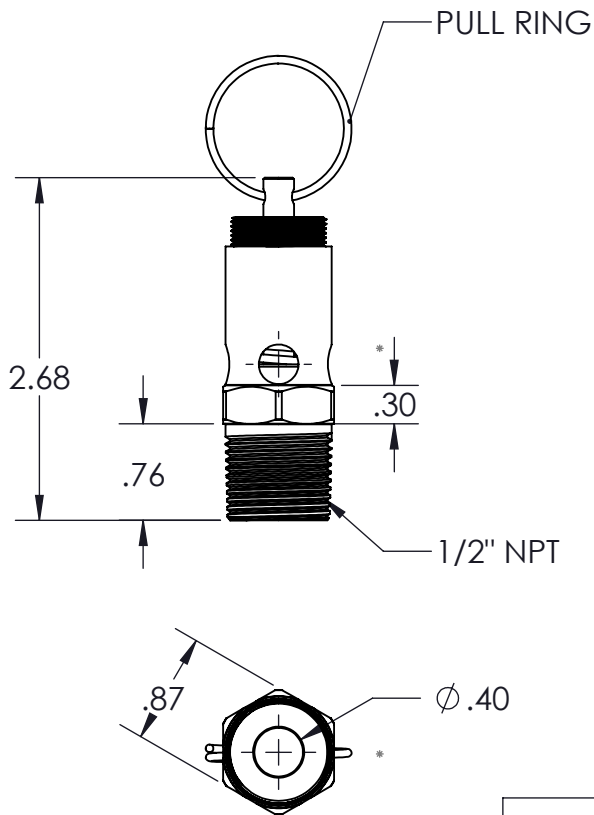
125 PSI SET PRESSURE WILL BE 'CV4-125'. TO ORDER THIS SAME VALVE WITH VITON SEAT, ADD 'V' TO END OF NUMBER. 'CV4-125V'

ALL VALVES FACTORY SET.

'POP' SETTING ±3%; ±2 PSIG BELOW SET PRESSURE OF 70 PSIG.

WORKING PRESSURE: 10% LESS THAN SET PRESSURE

OR 5 PSIG FOR SETTINGS BELOW 50 PSIG



SCFM OUTPUT AT SET PRESSURE

* SCFM AT 60 DEGREES F - 10% Accumulation (set pressure x 1.1+14.7) x 1.526 = flow (SCFM)

SET PSI	50	55	60	65	70	75	80	85	90	95	100	105	110	115	120	125	130
SCFM	106	115	123	132	140	148	157	165	174	182	190	199	207	215	224	232	241


SET PSI	135	140	145	150	155	160	165	170	175	180	185	190	195	200	205	210	215
SCFM	249	257	266	274	283	291	299	308	316	325	333	341	350	358	367	375	383

SET PSI	220	225	230	235	240	245	250	255	260	265	270	275	280	285	290	295	300
SCFM	392	400	409	417	425	434	442	450	459	467	476	484	492	501	509	518	526

MATERIALS	
BODY	BRASS
SPRING	PLATED STEEL
SEAL	SILICON (STD)
RATINGS:	UNFIRED PRESSURE VESSEL, ASME, NB, UV, CRN# 03378.0-9
OPTIONS:	VITON (SEAL)
TEMP RANGE	-65°F TO 250°F



THIS DOCUMENT IS PROPERTY OF UNIVERSAL COMPONENTS, INC. ANY REPRODUCTION, DISCLOSURE, OR USE OF THIS DOCUMENT IS EXPRESSLY PROHIBITED UNLESS OTHERWISE AGREED UPON IN WRITING. *ALL SPECIFICATIONS SUBJECT TO CHANGE WITHOUT NOTICE.*



DRAWING NAME:
CV4 -SERIES

MATERIAL: --	A	DRAWING NUMBER: CV4-SPEC	REV. 5
SCALE: N.T.S.	NAME: MCH	DATE: 1/27/2021	