

**CG SERIES NOTES:**

29" Hg - 2000 PSIG WOG, Cold Non-Shock (1/4"-1")

29" Hg - 1500 PSIG WOG, Cold Non-Shock (1/4"-2")

Blowot-Proof Stem, with Adjustable Packing

Chrome Plated Steel Ball

\*NOTE CG-3 Has stainless steel ball.

RTFE Seats

150 PSIG Saturated Steam

Temperature -20°F to 425°F

**CFH-SERIES NOTES:**

29" Hg - 3000 PSIG WOG, Cold Non-Shock

Blowot-Proof Stem, with Adjustable Packing

Chrome Plated Steel Ball

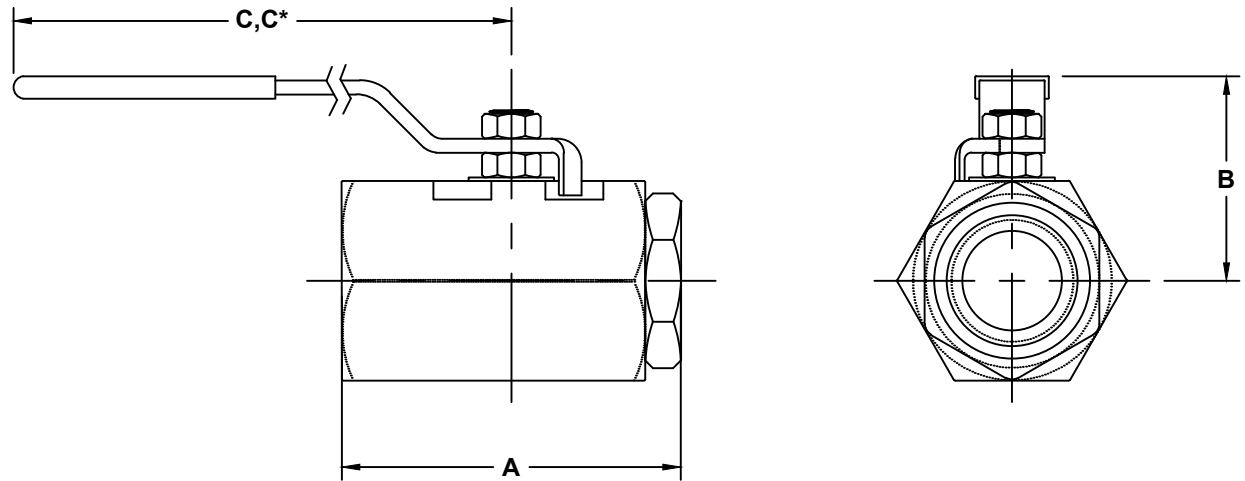
\*NOTE CFH-2, CFH-S6, CFH-3 Have stainless steel ball.

RTFE Seats and Seals

150 PSIG Saturated Steam

Full Port

Temperature -20°F to 425°F



**CFH AND CFH-LL SERIES 3000 PSI**

PART #	THREAD SIZE	A	B	C	Cv	C*	Wt. (lbs.)
CFH-2	1/4"	2.00	1.63	3.78	6	4.18	0.6
CFH-S4	7/16"-20	2.01					
CFH-3	3/8"	2.00	1.63	3.78	12	4.18	0.60
CFH-S6	9/16"-18	2.01					
CFH-4	1/2"	2.84	2.16	4.78	19	4.18	1.5
CFH-S8	3/4"-16					4.75	
CFH-6	3/4"	3.71	2.35	4.78	34	5.22	2.4
CFH-S12	1 1/16"-12					5.33	
CFH-8	1"	4.15	2.85	6.10	54	5.22	5.3
CFH-S16	1 5/16"-12					6.20	
CFH-10	1 1/4"	4.65	3.43	8.00	48	7.60	7.73
CFH-S20	1 5/8"-12						
CFH-12	1 1/2"	5.23	3.56	8.00	84	7.60	10.21
CFH-S24	1 7/8"-12						
CFH-16	2"	5.84	4.18	9.00	108	7.60	14.88
CFH-S32	2 1/2"-12					8.60	

**CG AND CG-LL SERIES 2000 PSI**

PART#	THREAD SIZE	A	B	C	Cv	C*	WT (lbs.)
CG-2	1/4"	2.00	1.63	3.78	6	4.18	0.60
CG-3	3/8"	2.00	1.63	3.78	12	4.18	0.60
CG-4	1/2"	2.37	1.73	3.78	15	4.18	0.80
CG-6	3/4"	2.90	2.08	5.10	23	5.22	1.45
CG-8	1"	3.41	2.30	5.10	36	5.22	2.35
CG-10	1 1/4"	3.94	2.76	6.10	44	7.60	2.70
CG-12	1 1/2"	4.65	2.98	6.10	64	7.60	4.50
CG-16	2"	4.98	3.54	8.60	114	8.60	6.10

**LOCKING HANDLE AVAILABLE. ADD 'LL' TO PART NUMBER**



DRAWING NAME:

**CARBON STEEL 2-WAY HIGH PRESSURE VALVES  
CFH, AND CG SERIES**

MATERIAL:

**A**

DRAWING NUMBER:

CFH-CG-SERIES-DIMENSIONAL

REV.

**2**

SCALE: N.T.S.

NAME: MCH

DATE: 12-14-20

THIS DOCUMENT IS PROPERTY OF UNIVERSAL COMPONENTS, INC. ANY REPRODUCTION, DISCLOSURE, OR USE OF THIS DOCUMENT IS EXPRESSLY PROHIBITED UNLESS OTHERWISE AGREED UPON IN WRITING.  
\*ALL SPECIFICATIONS SUBJECT TO CHANGE WITHOUT NOTICE.\*