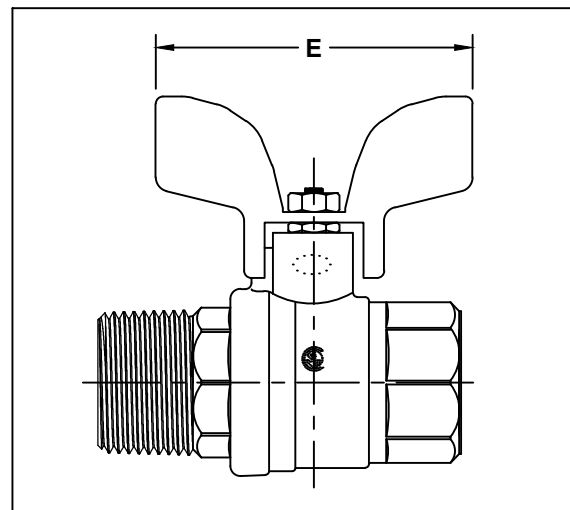


OPTIONAL T HANDLE (BGFM-*TEE)



VALVE NOTES:

- BRASS FULL PORT BALL VALVE
- 29" HG -600PSI WOG ,COLD NON-SHOCK
- BLOW OUT PROOF STEM WITH ADJUSTABLE STEM PACKING
- TEMPERATURE -0°F TO 366°F
- MALE BY FEMAL NPT STANDARD. FEMALE BY FEMALE ALSO AVAILABLE
- NICKEL PLATED AVAILABLE
- "T" HANDLE AVAILABLE
- LOCKING HANDLE AVAILABLE

MATERIALS:

- BODY, CONNECTION, BALL: BRASS (CW 617N)
- O-RING: NBR
- SEAT: PTFE
- STD AND LOCKING HANDLE: PLATED STEEL
- T HANDLE: CAST ALUMINUM

THIS DOCUMENT IS PROPERTY OF UNIVERSAL COMPONENTS, INC. ANY REPRODUCTION, DISCLOSURE, OR USE OF THIS DOCUMENT IS EXPRESSLY PROHIBITED UNLESS OTHERWISE AGREED UPON IN WRITING.
ALL SPECIFICATIONS SUBJECT TO CHANGE WITHOUT NOTICE.

PART	NPT	A	B	C	D	E	Cv
BGFM-2	¼"	2.30	1.65	3.86	0.39	1.97	6.3
BGFM-3	⅜"	2.32	1.65	3.86	0.39	1.97	7.0
BGFM-4	½"	2.81	1.81	3.86	0.59	1.97	19.0
BGFM-6	¾"	3.13	2.28	4.80	0.79	2.54	34.4
BGFM-8	1"	3.58	2.44	4.80	0.98	2.54	50.1



DRAWING NAME:

**BRASS FULL PORT 2-WAY MALE BY FEMALE NPT
MANUAL BALL VALVES**

MATERIAL:

A

DRAWING NUMBER:
BGFM-SERIES

REV.
1

SCALE: N.T.S.

NAME: MCH

DATE: 12-5-16