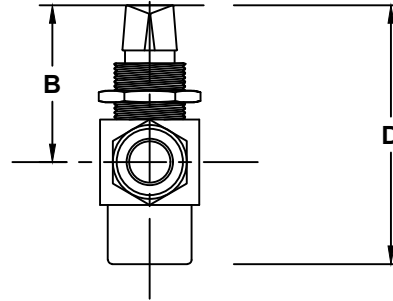
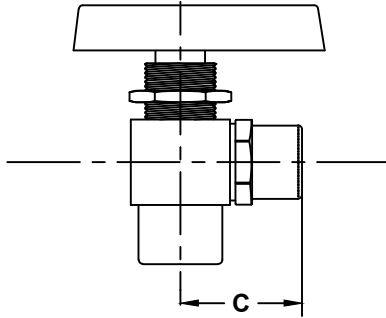
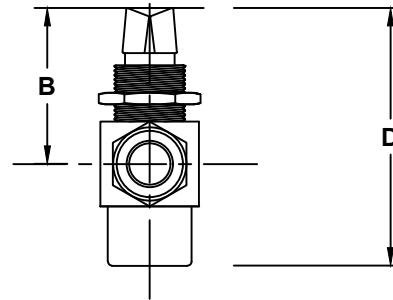
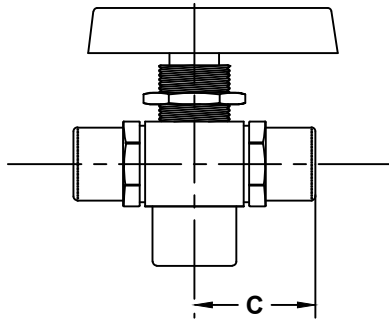


VALVE DIMENSIONS: B2 SERIES						
PART #	A	B	C	D	Cv	NPT
B2-F1	1.84	1.25	-	-	1.39	1/8"
B2-F2	1.84	1.25	-	-	1.59	1/4"
B2-F3	2.20	1.42	-	-	2.74	3/8"
B2-F4	2.38	1.42	-	-	2.74	1/2"



VALVE DIMENSIONS: B290 SERIES						
PART #	A	B	C	D	Cv	NPT
B290-F1	-	1.25	0.92	2.12	1.39	1/8"
B290-F2	-	1.25	0.92	2.12	1.59	1/4"
B290-F3	-	1.42	1.10	2.59	2.74	3/8"
B290-F4	-	1.42	1.19	2.59	2.74	1/2"



VALVE DIMENSIONS: B3 SERIES						
PART #	A	B	C	D	Cv	NPT
B3-F1	-	1.25	0.92	2.12	1.39	1/8"
B3-F2	-	1.25	0.92	2.12	1.59	1/4"
B3-F3	-	1.42	1.10	2.59	2.74	3/8"
B3-F4	-	1.42	1.19	2.59	2.74	1/2"

**VALVE NOTES:**

- 29" HG - 1500 PSIG WOG, NON SHOCK
- BLOWOUT-PROOF STEM
- TEFLON SEATS
- ASTM C360 BRASS BODY AND CONNECTIONS
- NICKEL PLATED BRASS BALL
- CAST ALUMINUM HANDLE
- PANEL MOUNT
- TEMP: -40° TO 300° F
- 3-WAY VALVE IS L-PORT ONLY
- F1/F2 PANEL MOUNT HOLE DIA: 0.25"
- F3/F4 PANEL MOUNT HOLE DIA: 0.33

CONSULT CATALOG FOR FURTHER ORDERING INFORMATION AND OPTIONS

THIS DOCUMENT IS PROPERTY OF UNIVERSAL COMPONENTS, INC.  
 ANY REPRODUCTION, DISCLOSURE, OR USE OF THIS DOCUMENT IS  
 EXPRESSLY PROHIBITED UNLESS OTHERWISE AGREED UPON IN WRITING.  
 \*ALL SPECIFICATIONS SUBJECT TO CHANGE WITHOUT NOTICE.\*



DRAWING NAME:

B2 SERIES MINI BALL VALVE WITH HANDLE

MATERIAL:	A	DRAWING NUMBER: B2-SERIES	REV. 1
SCALE: N.T.S.	NAME: MCH	DATE: 1-9-17	