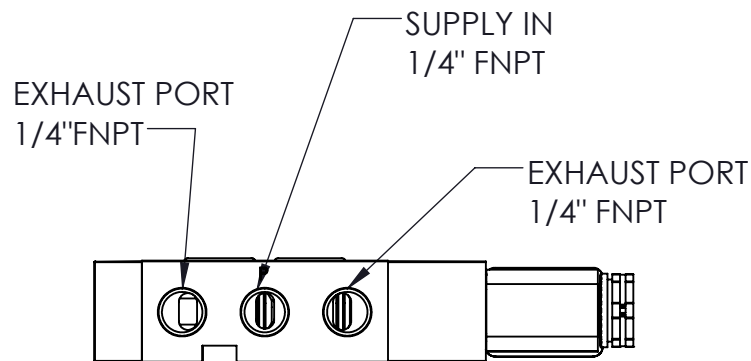
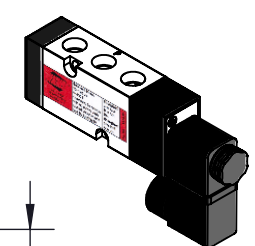
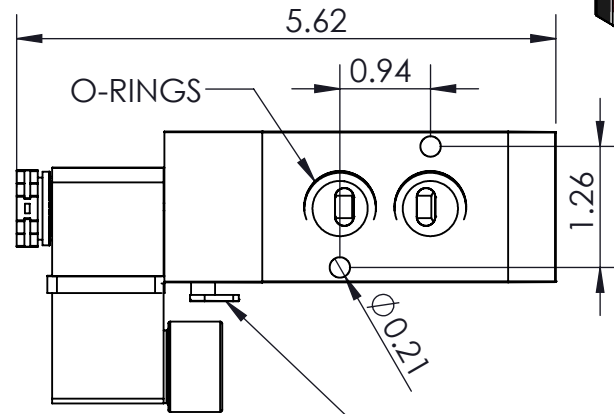
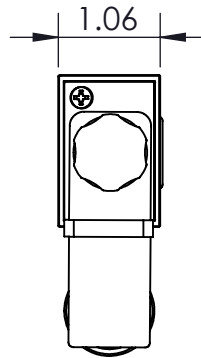
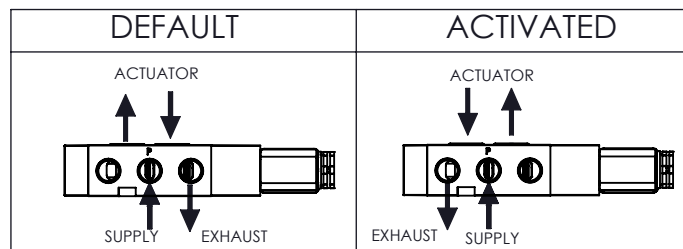


1/2" NPT
CONNECTOR



NOTES:

- BODY: ANODIZED 6061-T6
- SPOOL: 6061-T6
- SEALS: BUNA-N
- ARMATURE MOUNT/OVER-RIDE BUTTON: ACETAL PLASTIC
- ARMATURE TUBE: BRASS/STEEL
- RETAINING NUT: ACETAL PLASTIC WITH PLATED STEEL THREADED INSERT
- BODY END PLATE AND SCREWS: PLATED STEEL
- 80-100 PSI OPERATING PRESSURE
- 110 VAC , 62mA INRUSH



THIS DOCUMENT IS PROPERTY OF UNIVERSAL COMPONENTS, INC.
 ANY REPRODUCTION, DISCLOSURE, OR USE OF THIS DOCUMENT IS
 EXPRESSLY PROHIBITED UNLESS OTHERWISE AGREED UPON IN WRITING.
 ALL SPECIFICATIONS SUBJECT TO CHANGE WITHOUT NOTICE.

DRAWING NAME: AD-1 SOLENOID VALVE		
MATERIAL: --	A DRAWING NUMBER: AD-1	REV. 3
SCALE: N.T.S.	NAME: MCH	DATE: 10/5/24