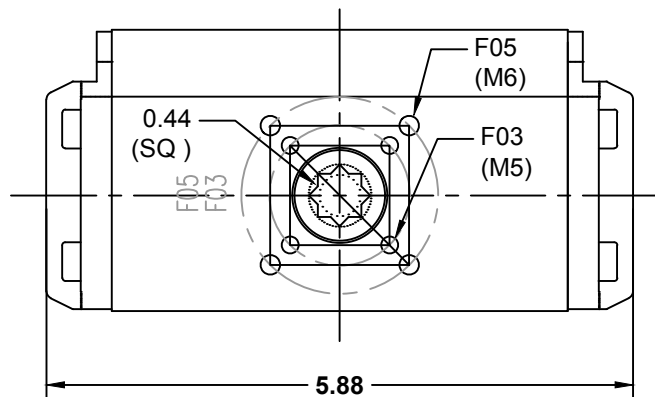
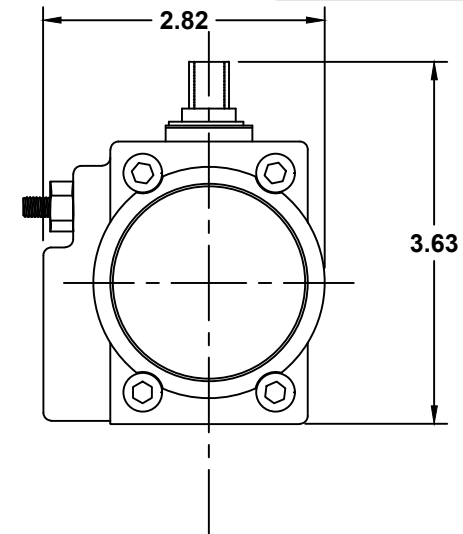
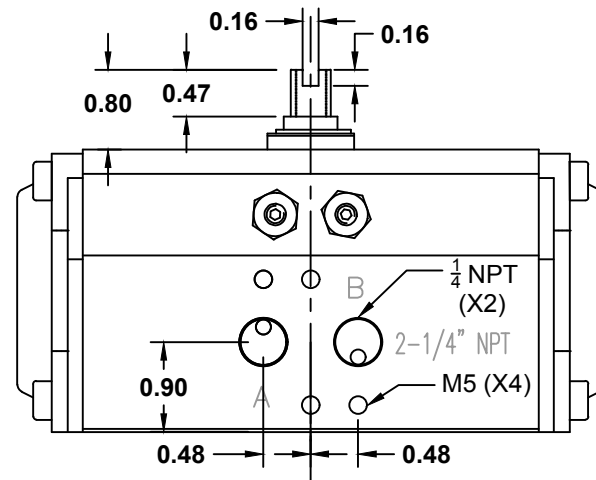
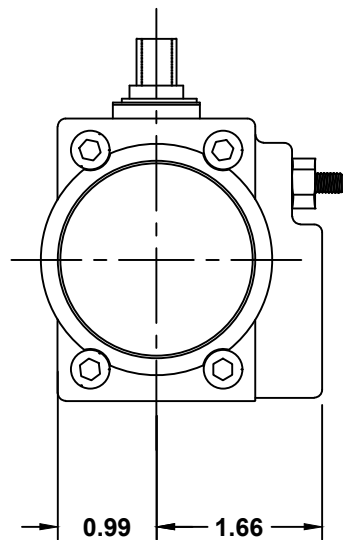
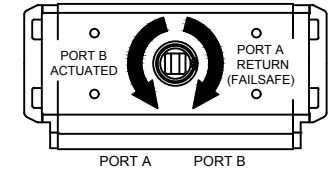


TORQUE SPECIFICATIONS:

(DA) 196 IN LBS @ 80PSI
 (22.2 Nm @ 5.5BAR)
 (SR) 74 IN LBS @ 80PSI
 (8.3 Nm @ 5.5BAR)

DIRECTION OF ROTATION ON 'SPRING RETURN' ACTUATORS
 (TOP VIEW SHOWN)



NOTE:
 'M5' = M5X0.8 THREAD
 'M6' = M6X1.0 THREAD
 ALL OTHER DIMS IN INCHES

THIS DOCUMENT IS PROPERTY OF UNIVERSAL COMPONENTS, INC.
 ANY REPRODUCTION, DISCLOSURE, OR USE OF THIS DOCUMENT IS
 EXPRESSLY PROHIBITED UNLESS OTHERWISE AGREED UPON IN WRITING.
 ALL SPECIFICATIONS SUBJECT TO CHANGE WITHOUT NOTICE.



DRAWING NAME:

DA-SR 52MM ACTUATOR

MATERIAL:

A

DRAWING NUMBER:

DA-SR-52

REV.

2

SCALE: N.T.S.

NAME: MCH

DATE: 6-10-16