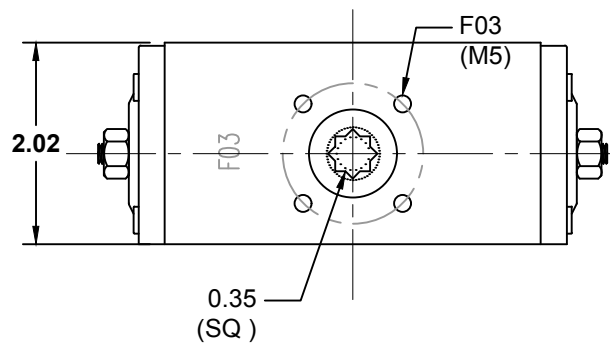
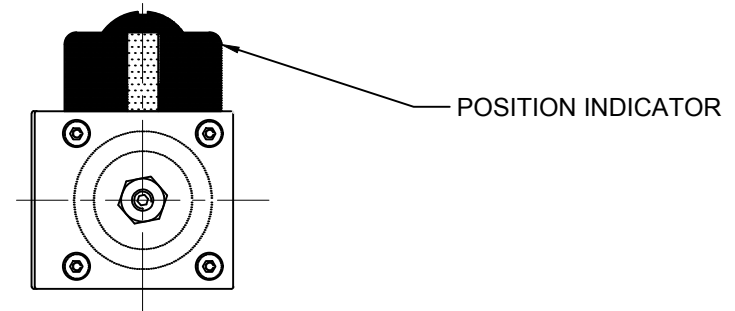
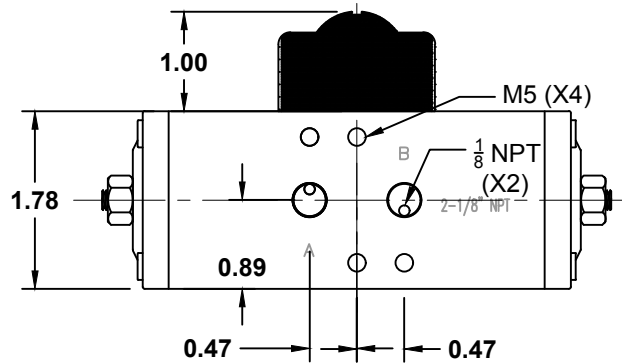
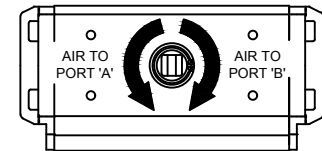


TORQUE SPECIFICATIONS:

(DA) 74 IN LBS @ 80PSI
(8.4 Nm @ 5.5BAR)

(SR) N/A

DIRECTION OF ROTATION ON 'SPRING RETURN' ACTUATORS
(TOP VIEW SHOWN)



DRAWING NAME:

DA-32-WITH-INDICATOR

MATERIAL:

A

DRAWING NUMBER:

DA-32-W-INDICATOR

REV.

1

SCALE: N.T.S.

NAME: MCH

DATE: 6-16-16