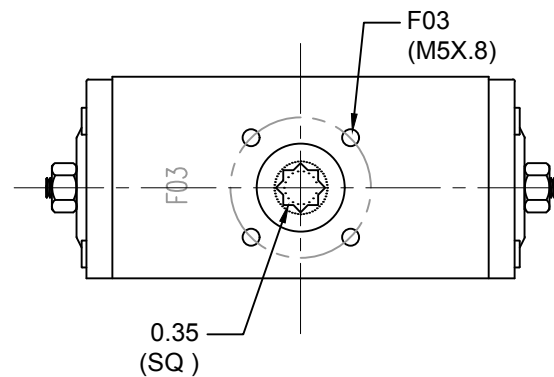
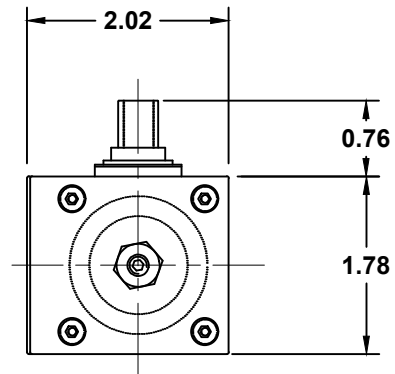
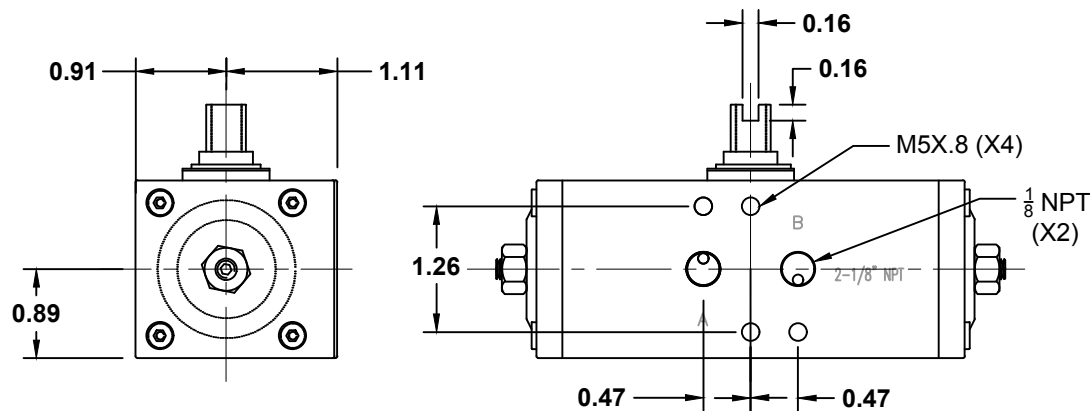


TORQUE SPECIFICATIONS:

(DA) 74 IN LBS @ 80PSI
(8.4 Nm @ 5.5BAR)

(SR) N/A

DIRECTION OF ROTATION ON 'SPRING RETURN' ACTUATORS
(TOP VIEW SHOWN)



THIS DOCUMENT IS PROPERTY OF UNIVERSAL COMPONENTS, INC.
ANY REPRODUCTION, DISCLOSURE, OR USE OF THIS DOCUMENT IS
EXPRESSLY PROHIBITED UNLESS OTHERWISE AGREED UPON IN WRITING.
ALL SPECIFICATIONS SUBJECT TO CHANGE WITHOUT NOTICE.



DRAWING NAME:

DA-32 ACTUATOR

MATERIAL:

A

DRAWING NUMBER:

DA32

REV.

1

SCALE: N.T.S.

NAME: MCH

DATE: 6-10-16