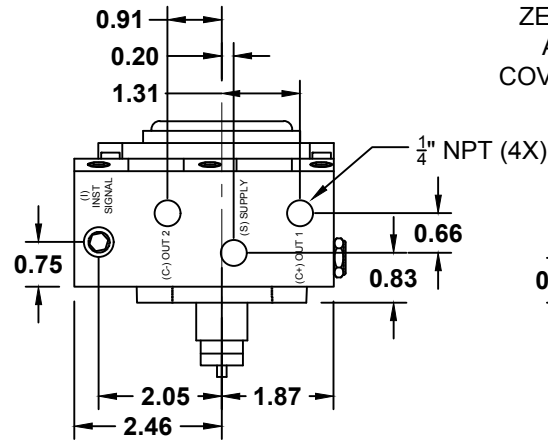
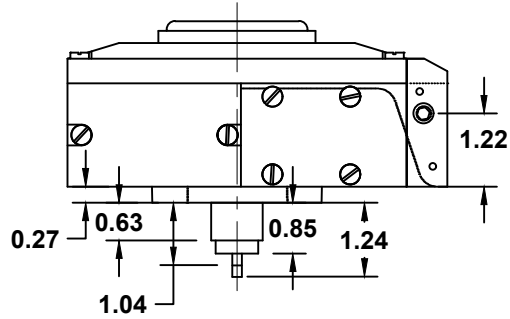
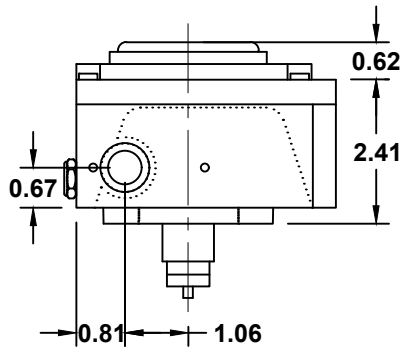
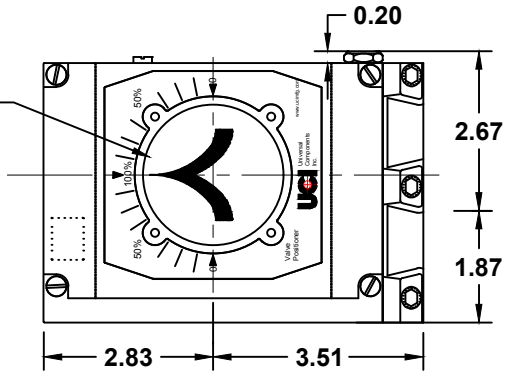
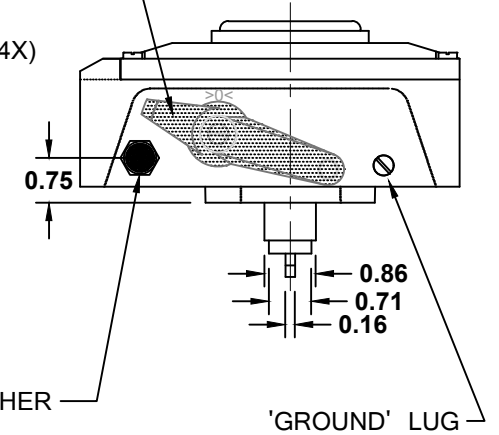


VISUAL POSITION INDICATOR

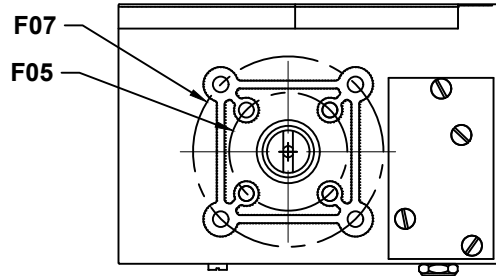


ZERO  
ADJ  
COVER



EXHAUST BREATHER

'GROUND' LUG



DRAWING NAME:

2000 SERIES POSITIONER

MATERIAL:

A

DRAWING NUMBER:  
2000-POS

REV.  
1

SCALE: N.T.S.

NAME: MCH

DATE: 7-8-16