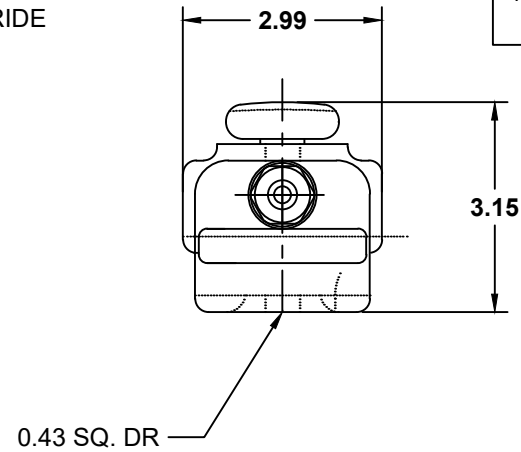
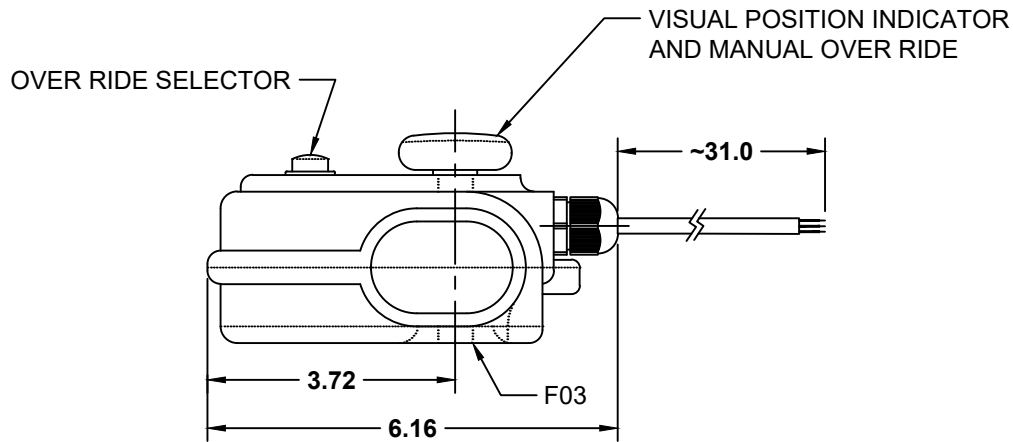
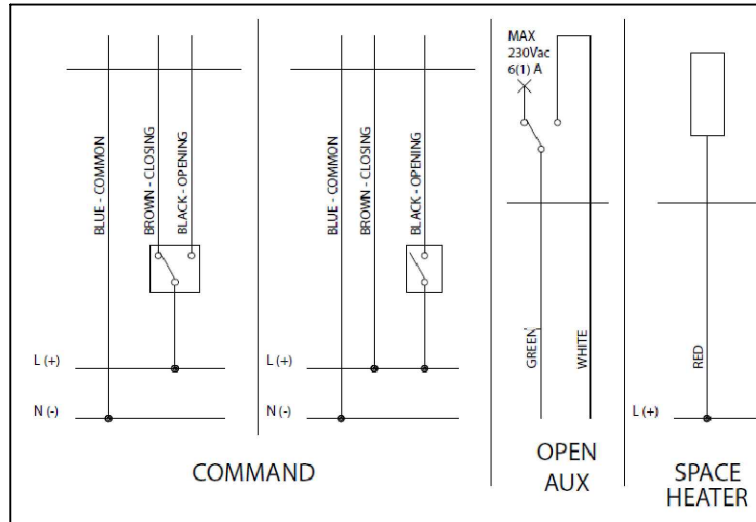


ACTUATOR NOTES	
HOUSING MATERIAL	HIGH IMPACT PLASTIC
RATINGS/CERTIFICATIONS	IP65 / TYPE 4
OPERATING TEMP	-4°F TO 131°F
TORQUE	89 IN/LBS (10.5 Nm)
0° TO 90° CYCLE TIME	8 SEC.
VOLTAGES AVAILABLE:	24VAC/DC (75% DUTY CYCLE) 0.6 AMP
	110 VAC (75% DUTY CYCLE) 0.41 AMP



WIRING DIAGRAM FOR VB010



NOTE: ALL WIRING IS EXTERNALLY ACCESSIBLE. OPENING HOUSING WILL VOID WARRANTY.

THIS DOCUMENT IS PROPERTY OF UNIVERSAL COMPONENTS, INC.
ANY REPRODUCTION, DISCLOSURE, OR USE OF THIS DOCUMENT IS
EXPRESSLY PROHIBITED UNLESS OTHERWISE AGREED UPON IN WRITING.
ALL SPECIFICATIONS SUBJECT TO CHANGE WITHOUT NOTICE.

DRAWING NAME: 10 SERIES ELECTRIC ACTUATOR: (24 VAC/DC, 110VAC)			
MATERIAL:	A	DRAWING NUMBER: VB010-0XX	REV. 3
SCALE: N.T.S.	NAME: MCH	DATE: 4-12-2022	