



S2FDM SERIES PNEUMATIC ACTUATED VALVES

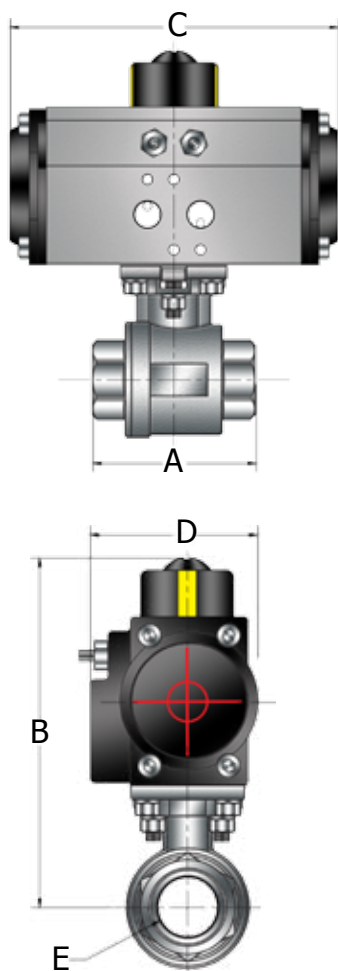
FEATURES:

Actuator

- 80 PSI Minimum, 120 PSI Max.
- Aluminum Construction
- Nitrile Seals, Polyamide Friction Guides
- -4°F to 185°F

Valve

- All Sizes Full Port
- 2,000 psi W.O.G., 160 psig Steam
- 316 SS Ball and Stem, CF8M SS Body
- RPTFE Seat, Packing, Gasket and Washers, w/Viton O-Ring
- Temperature -20°F to 200°F at 2,000psi
-20°F to 300°F at 1,200psi
- S-Tek Seats Available, 30°, 60°, 90° V-Port Option Available



DOUBLE ACTING DIMENSIONS:

Part No.	Size	Actuator	A	B	C	D	E
PD/S2FDM-4	1/2"	DA52	2.56	3.82	5.64	2.82	0.59
PD/S2FDM-6	3/4"	DA52	2.87	3.90	5.68	2.82	0.79
PD/S2FDM-8	1"	DA52	3.39	4.33	6.03	2.82	0.98
PD/S2FDM-12	1-1/2"	DA63	4.53	6.15	6.97	3.17	1.50
PD/S2FDM-16	2"	DA75	5.28	7.63	8.03	3.72	2.01

* Option

○ = Fail open

● = Fail Close

SPRING RETURN DIMENSIONS:

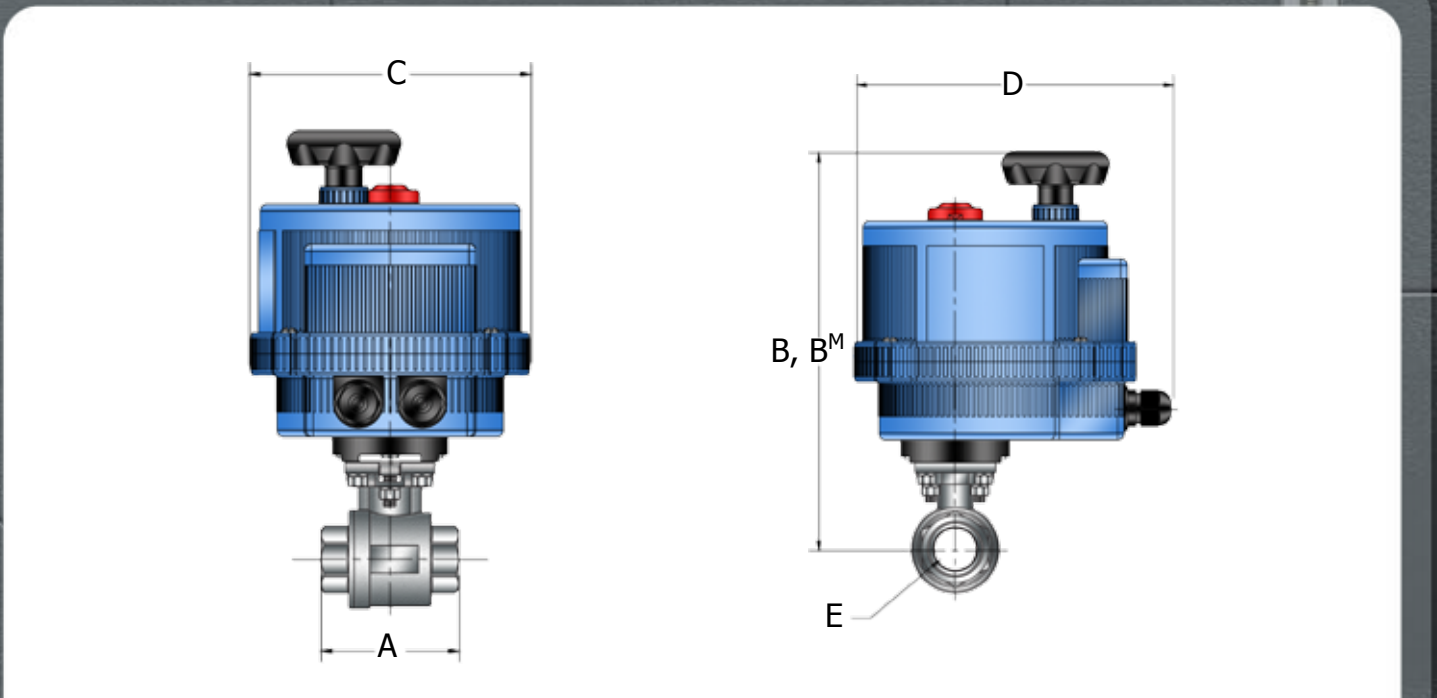
Part No.	Size	Actuator	A	B	C	D	E
P*/S2FDM-4	1/2"	SR63	2.56	5.67	5.88	2.82	0.59
P*/S2FDM-6	3/4"	SR63	2.87	5.71	5.88	2.82	0.79
P*/S2FDM-8	1"	SR75	3.39	6.77	8.27	3.72	0.98
P*/S2FDM-12	1-1/2"	SR85	4.53	8.23	9.47	4.17	1.50
P*/S2FDM-16	2"	SR100	5.28	9.09	10.83	4.84	2.01



S2FDM SERIES ELECTRIC ACTUATED VALVES



- FEATURES:**
- Actuator**
- VO Self Extinguishing Class Techno-Polymer
 - Metal Available on request
 - All Actuators IP67 (VB015 IP65)
 - Heater Thermostat Standard
 - Manual Override Standard
 - Two Auxiliary Limit Switches Standard
 - Battery Backup or 4-20mA Positioner Optional
- Valve**
- All Sizes Full Port
 - 2,000 psi W.O.G., 160 psig Steam
 - 316 SS Ball and Stem, CF8M SS Body
 - RPTFE Seat, Packing, Gasket and Washers, w/Viton O-Ring
 - Temperature -20°F to 200°F at 2,000psi
-20°F to 300°F at 1,200psi
 - S-Tek Seats Available, 30°, 60°, 90° V-Port Option Available



SPRING RETURN DIMENSIONS:

*** Actuator Voltage
115V = 115VAC
240V = 240VAC
012D = 12VDC
024D = 24VDC

B^M = Metal Actuator Std.
 B = Optional ABS Actuator

Part No.	Size	Actuator Options		A	B	C	D	E	B ^M
		standard	optional						
E***/S2FDM-4	1/2"	VB015	VB030M	2.56	7.58	4.84	6.41	0.59	10.04
E***/S2FDM-6	3/4"	VB015	VB030M	2.87	7.62	4.84	6.41	0.79	10.08
E***/S2FDM-8	1"	VB030	VB030M	3.39	9.80	6.18	7.48	0.98	10.43
E***/S2FDM-12	1-1/2"	VB060	VB060M	4.53	11.77	7.28	7.82	1.50	12.05
E***/S2FDM-16	2"	VB060	VB060M	5.28	12.12	7.28	7.82	2.01	12.38