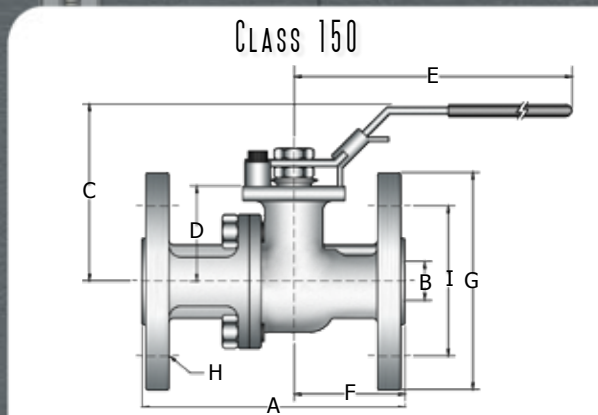




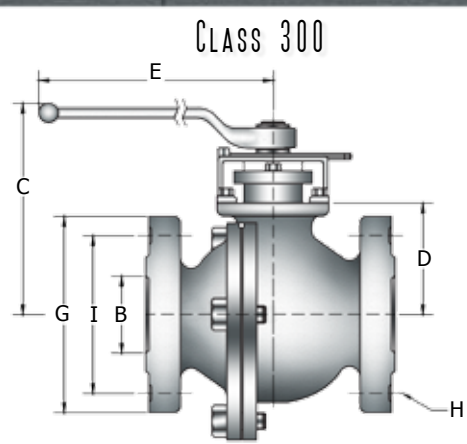
# F150/F300 ANSI CLASS FLANGE VALVE



- FEATURES:**
- Full Port Split Body ANSI Class 150 & 300
  - Class 150 29"Hg-285psi, Cold Non-Shock
  - Class 300 29"Hg-740psi, Cold Non-Shock
  - Live Loaded Stem Design, Anti-Static Device
  - Standard Locking Device
  - Blowout Proof Stem with Adjustable Packing
  - Temperature -20°F to 400°F
  - Fire Safe Approved API 607-5
  - Available with Optional Seats and V-Ball Option C/F



## DIMENSIONS



PART# Carbon	PART# Stainless	Size NPS	A	B	C	D	E	F	G	H Qty x Dia.	I	Cv	Torque in/Lbs	Wt. Lbs
C2FF150-4	S2FF150-4	1/2"	4.25	0.59	2.60	1.54	6.50	1.79	3.50	4 x 0.62	2.38	17	62	4
C2FF300-4	S2FF300-4		5.50						3.75	4 x 0.62	2.62	15	65	5
C2FF150-6	S2FF150-6	3/4"	4.62	0.79	2.91	1.70	6.50	2.01	3.88	4 x 0.62	2.75	43	90	5
C2FF300-6	S2FF300-6		6.00						4.62	4 x 0.75	3.25	40	95	7
C2FF150-8	S2FF150-8	1"	5.00	0.98	3.43	2.06	7.87	2.05	4.25	4 x 0.62	3.12	74	100	7.5
C2FF300-8	S2FF300-8		6.50						4.88	4 x 0.75	3.50	70	105	10
C2FF150-10	S2FF150-10	1-1/4"	5.50	1.26	3.62	2.35	7.87	2.45	4.62	4 x 0.62	3.50	192	240	13.5
C2FF300-10	S2FF300-10		7.00						5.25	4 x 0.75	3.88	189	252	C/F
C2FF150-12	S2FF150-12	1-1/2"	6.50	1.50	4.13	2.65	9.84	2.76	5.00	4 x 0.62	3.88	290	270	14.5
C2FF300-12	S2FF300-12		7.50						6.12	4 x 0.88	4.50	300	284	19
C2FF150-16	S2FF150-16	2"	7.00	1.97	4.53	2.90	10.4	3.07	6.00	4 x 0.62	4.75	410	360	21
C2FF300-16	S2FF300-16		8.50						6.50	8 x 0.75	5.00	430	378	25
C2FF150-20	S2FF150-20	2-1/2"	7.50	2.56	6.22	3.39	15.4	3.08	7.00	4 x 0.75	5.50	780	620	33.5
C2FF300-20	S2FF300-20		9.50						7.50	8 x 0.88	5.88	768	651	42
C2FF150-24	S2FF150-24	3"	8.00	3.00	6.54	3.67	15.4	3.74	7.50	4 x 0.75	6.00	1120	800	42.5
C2FF300-24	S2FF300-24		11.12						8.25	8 x 0.88	6.62	1090	840	60
C2FF150-32	S2FF150-32	4"	9.00	4.00	7.20	4.40	15.4	4.47	9.00	8 x 0.75	7.50	1825	1700	62
C2FF300-32	S2FF300-32		12.00						10.00	8 x 0.88	7.88	1900	1785	93
S2FF150-48	S2FF150-48	6"	15.50	5.98	11.2	7.20	25.6	7.62	11.00	8 x 0.88	9.50	4700	4600	165
C2FF150-48	S2FF300-48		15.88						12.50	12 x 0.88	10.62	4800	4830	221
S2FF150-64	S2FF150-64	8"	18.00	7.87	11.6	7.60	37.4	8.35	13.50	8 x 0.88	11.75	10100	9900	262
C2FF150-64	S2FF300-64		19.75						15.00	12 x 1.00	13.00	10000	10395	371
C2FF150-80	S2FF150-80	10"	21.00	9.84	14.4	9.88	38.0	10.5	16.00	12 x 1.00	14.25	17500	17000	468
C2FF300-80	S2FF300-80		22.38						17.50	16 x 1.12	15.25	17350	17850	576
C2FF150-96	S2FF150-96	12"	24.00	11.8	16.1	11.5	38.0	12.0	19.00	12 x 1.00	17.00	22400	23000	714
C2FF300-96	S2FF300-96		25.50						20.50	16 x 1.25	17.75	21700	24150	C/F