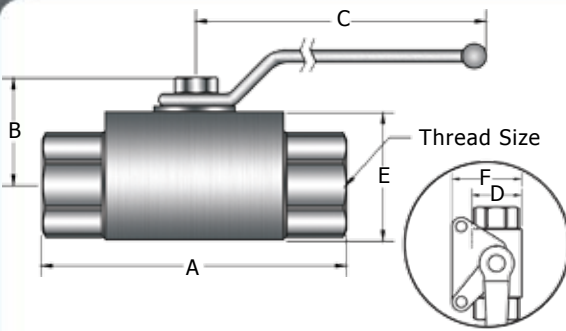


# SFM SERIES BALL VALVE



## FEATURES:

- 316 Stainless Steel full Port Ball Valve
- Available in NPT and SAE
- Delrin® Seats and Viton® O-Rings
- Options: Suffix "LP" for Locking Plate
- Blow-Out Proof Stem
- Temperature -4°F to 215°F



## DIMENSIONS

Part#	Thread	Size	Psi	A	B	C	D	E	F	ØG*
SFM-2	1/4" NPT	1/4"	5880	2.72	1.20	4.21	1.02	1.26	1.88	0.24
SFM-S4	7/16"-20 ORB									
SFM-3	3/8" NPT	3/8"	5880	2.87	1.29	4.21	1.26	1.50	2.00	0.39
SFM-S6	9/16"-18 ORB									
SFM-4	1/2" NPT	1/2"	5880	3.62	1.31	4.21	1.38	1.57	2.06	0.51
SFM-S8	3/4"-16 ORB									
SFM-6	3/4" NPT	3/4"	5145	3.82	1.91	6.50	1.93	2.24	2.76	0.79
SFM-S12	1-1/16"-12 ORB									
SFM-8	1" NPT	1"	5145	4.45	1.95	6.50	2.36	2.36	2.97	0.94
SFM-S16	1-5/16"-12 ORB									
SFM-10	1-1/4" NPT	1-1/4"	5145	6.54	2.59	8.30	3.54	3.30	2.97	1.25
SFM-S20	1-5/8"-12 ORB									
SFM-12	1-1/2" NPT	1-1/2"	5145	7.14	2.73	8.30	3.26	3.62	3.32	1.49
SFM-S24	1-7/8"-12 ORB									
SFM-16	2" NPT	2"	5145	9.30	3.15	8.50	3.94	4.37	4.11	1.89
SFM-S32	2-1/2"-12 ORB									

LOCKING PLATE DIMENSIONS			
	LP-1SS	LP-2SS	LP-3SS
	1/4"-1/2"	3/4"-1-1/4"	1-1/2"-2"
A	1.82	2.48	3.15
B	2.75	3.58	4.28

## BILL OF MATERIALS

PART	Stainless Steel
Body	316 Stainless Steel
End Fitting	316 Stainless Steel
Ball	316 Stainless Steel
Ball Seat	Delrin
O-Ring	Viton®
Stem Seal	Viton®
Thrust Washer	Delrin
Stem	316 Stainless Steel
Handle Washer	Zinc Plated Steel
Handle Bolt	Zinc Plated Steel
Handle	Cast Aluminum

