

S2FDM SERIES ELECTRIC ACTUATED VALVES



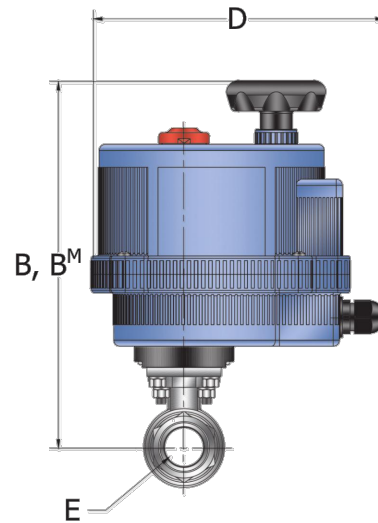
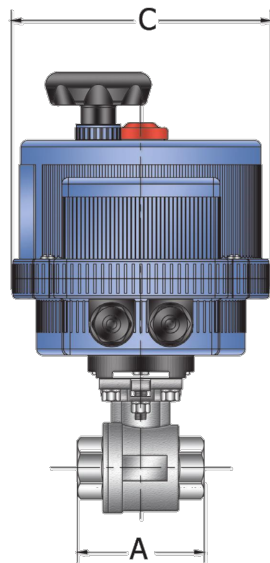
FEATURES:

Actuator

- VO Self Extinguishing Class Techno-Polymer
- Metal Available on request
- All Actuators IP67 (VB015 IP65)
- Heater Thermostat Standard
- Manual Override Standard
- Two Auxiliary Limit Switches Standard
- Battery Backup or 4-20mA Positioner Optional

Valve

- All Sizes Full Port
- 2,000 psi W.O.G., 160 psig Steam
- 316 SS Ball and Stem, CF8M SS Body
- RPTFE Seat, Packing, Gasket and Washers, w/Viton O-Ring
- Temperature -20°F to 200°F at 2,000psi
-20°F to 300°F at 1,200psi
- S-Tek Seats Available, 30°, 60°, 90° V-Port Option Available



SPRING RETURN DIMENSIONS:

*** Actuator Voltage

115V = 115VAC
240V = 240VAC
012D = 12VDC
024D = 24VDC

B^M = Metal Actuator Std.

B = Optional ABS Actuator

| Part No. | Size | Actuator standard | Options optional | A | B | C | D | E | B ^M |
|---------------|--------|----------------------|---------------------|------|-------|------|------|------|----------------|
| E***/S2FDM-4 | 1/2" | VB015 | VB030M | 2.56 | 7.58 | 4.84 | 6.41 | 0.59 | 10.04 |
| E***/S2FDM-6 | 3/4" | VB015 | VB030M | 2.87 | 7.62 | 4.84 | 6.41 | 0.79 | 10.08 |
| E***/S2FDM-8 | 1" | VB030 | VB030M | 3.39 | 9.80 | 6.18 | 7.48 | 0.98 | 10.43 |
| E***/S2FDM-12 | 1-1/2" | VB060 | VB060M | 4.53 | 11.77 | 7.28 | 7.82 | 1.50 | 12.05 |
| E***/S2FDM-16 | 2" | VB060 | VB060M | 5.28 | 12.12 | 7.28 | 7.82 | 2.01 | 12.38 |