



SHSC SERIES CHECK VALVE

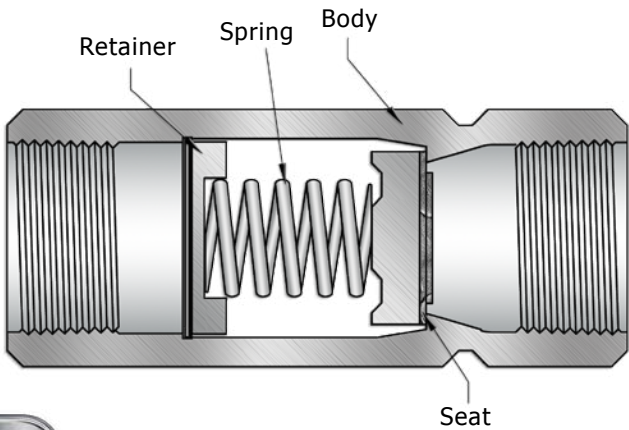
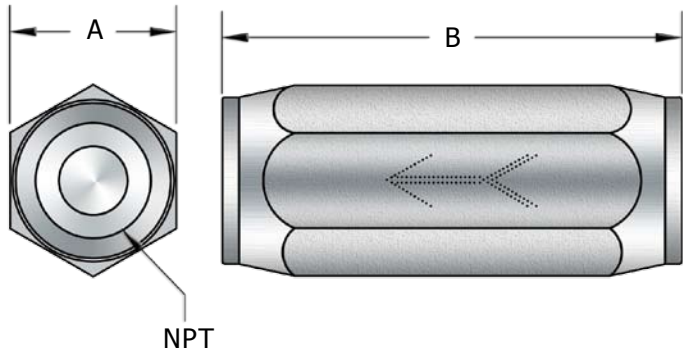
Features:

- 316 Stainless Steel Check Valve
- 7 psi Cracking Pressure
- Available in NPT or SAE Connections
- Viton® Poppet O-Rings
- Temperature -13°F to 392°F



Dimensions

PART #	NPT	A	B	Psi	Cv
SHSC-2-7	1/4"	1.97	0.75	5145	6
SHSC-3-7	3/8"	2.36	0.94	5145	9.5
SHSC-4-7	1/2"	2.56	1.06	5145	18
SHSC-6-7	3/4"	2.95	1.34	4410	30
SHSC-8-7	1"	3.66	1.61	3675	35
SHSC-10-7	1-1/4"	4.33	1.97	3675	60
SHSC-12-7	1-1/2"	4.41	2.17	3675	90
SHSC-16-7	2"	4.72	2.95	2200	145



Bill of Materials

Description	Material
Body Retainer	316 Stainless Steel
Spring	302 Stainless Steel
Seat	Viton®