

# CHSC SERIES CHECK VALVE

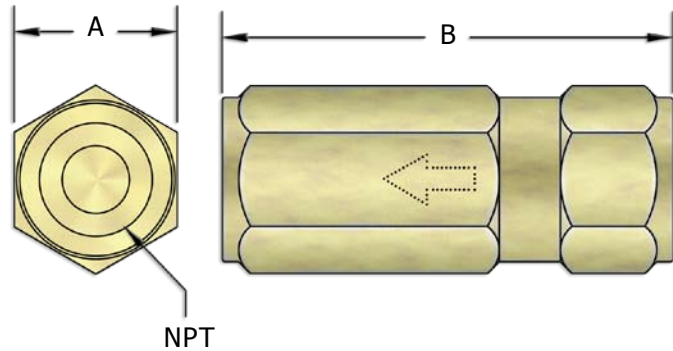


## Features:

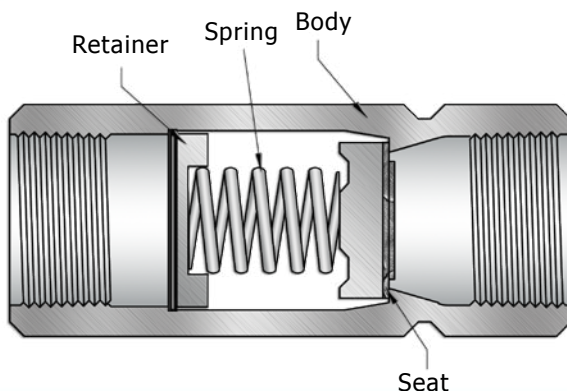
- Zinc Plated Steel Check Valve
- Sizes From 1/4" to 2" with 7 or 70 psi Cracking Pressure
- Available in NPT or SAE Connections
- Buna-N Captive Poppet O-Rings
- Temperature -13°F to 185°F

## Dimensions

PART #	NPT/SAE	A	B	Psi	Cv
CHSC-2-**	1/4"NPT	1.97	0.75	10000	6
CHSC-S4-**	7/16-20 ORB				
CHSC-3-**	3/8"NPT	2.36	0.91	10000	9.5
CHSC-S6-**	9/16-18 ORB				
CHSC-4-**	1/2"NPT	2.76	1.06	7250	18
CHSC-S8-**	3/4-16 ORB				
CHSC-6-**	3/4"NPT	3.39	1.38	7250	30
CHSC-S12-**	1 1/16-12 ORB				
CHSC-8-**	1"NPT	3.94	1.62	7250	35
CHSC-S16-**	1 5/16-12 ORB				
CHSC-10-**	1-1/4"NPT	5.12	2.17	4350	60
CHSC-S20-**	1 5/8-12 ORB				
CHSC-12-**	1-1/2"	5.31	2.56	4350	90
CHSC-S24-**	1 7/8-12 ORB				
CHSC-16-**	2"	5.91	2.95	4350	145



Note:  
 \*\* = Cracking Pressure  
 (7 = 7 Psi, 70 = 70 Psi)



## Bill of Materials

Description	Material
Body	Zinc Plated
Retainer	Steel
Spring	Body
Seat	Buna-N